

SUMMIT[®]



GAS GRILL

Built-In LP Gas Grill Installation Guide

Tank Enclosure Installation - Pg 27

S-460[™]

S-660[™]

#43267



YOU MUST READ THIS OWNER'S GUIDE BEFORE OPERATING YOUR GAS GRILL.

⚠ DANGER

If you smell gas:

1. Shut off gas to the appliance.
2. Extinguish any open flames.
3. Open lid.
4. If odor continues, keep away from the appliance and immediately call your gas supplier or your fire department.

Leaking gas may cause a fire or explosion which can cause serious bodily injury or death, or damage to property.

⚠ WARNING:

1. Do not store or use gasoline or other flammable liquids or vapors in the vicinity of this or any other appliance.
2. An LP cylinder not connected for use shall not be stored in the vicinity of this or any other appliance.

⚠ WARNING: Follow all leak-check procedures carefully in this manual prior to barbecue operation. Do this even if the barbecue was dealer-assembled.

NOTICE TO INSTALLER: These instructions must be left with the owner and the owner should keep them for future use.

THIS GAS APPLIANCE IS DESIGNED FOR OUTDOOR USE ONLY.

⚠ WARNING: Do not try to light this appliance without reading the "Lighting Instructions" section of this manual.



43267 US 06/11/09
LP
ENGLISH

⚠ DANGER

Failure to follow the Dangers, Warnings and Cautions contained in this Owner's Manual may result in serious bodily injury or death, or in a fire or an explosion causing damage to property.

⚠ WARNINGS

- ⚠ Do not store a spare or disconnected liquid propane cylinder under or near the barbecue.
- ⚠ Improper assembly may be dangerous. Please carefully follow the assembly instructions in this manual.
- ⚠ Do not operate the Weber® gas barbecue if there is a gas leak present.
- ⚠ Do not use a flame to check for gas leaks.
- ⚠ Combustible materials should never be within 24 (60.96cm) inches of the top, bottom, back or sides of your Weber® gas barbecue.
- ⚠ Do not put a barbecue cover or anything flammable on, or in the storage area under the barbecue.
- ⚠ Your Weber® gas barbecue should never be used by children. Accessible parts of the barbecue may be very hot. Keep young children away while it is in use.
- ⚠ You should exercise reasonable care when operating your Weber® gas barbecue. It will be hot during cooking or cleaning and should never be left unattended, or moved while in operation.
- ⚠ Liquid propane gas is not natural gas. The conversion or attempted use of natural gas in a liquid propane unit or liquid propane gas in a natural gas unit is dangerous and will void your warranty.
- ⚠ Do not attempt to disconnect any gas fitting while your barbecue is in operation.

- ⚠ Keep any electrical supply cord and the fuel supply hose away from any heated surfaces.
- ⚠ Do not use this Weber® tank enclosure kit unless all parts are in place. The unit must be properly assembled according to the instructions outlined in the "Assembly Instruction" section of the Owner's Guide.
- ⚠ Proposition 65 Warning: Handling the brass material on this product exposes you to lead, a chemical known to the state of California to cause cancer, birth defects or other reproductive harm.
(Wash hands after handling this product.)

LIQUID PROPANE GAS UNITS ONLY:

- ⚠ Use the regulator that is supplied with your Weber® Tank Enclosure Kit.
- ⚠ Do not attempt to disconnect the gas regulator or any gas fitting while your barbecue is in operation.
- ⚠ A dented or rusty liquid propane cylinder may be hazardous and should be checked by your liquid propane supplier. Do not use a liquid propane cylinder with a damaged valve.
- ⚠ Although your liquid propane cylinder may appear to be empty, gas may still be present, and the cylinder should be transported and stored accordingly.
- ⚠ If you see, smell or hear the hiss of escaping gas from the liquid propane cylinder:
 1. Move away from liquid propane cylinder.
 2. Do not attempt to correct the problem yourself.
 3. Call your fire department.

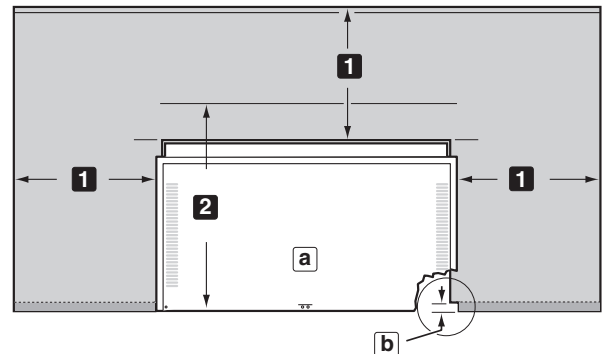
BUILT-IN CUTOUT DIMENSIONS**LOCATING YOUR GRILL**

When determining a suitable location for your Summit® gas grill installation, give attention to concerns such as exposure to wind, proximity to traffic paths, and keeping any gas supply lines as short as possible. Never locate the Summit® gas grill in a garage, breezeway, shed, under an unprotected overhang, or other enclosed area. Locate the grill and structure so there is enough room to safely evacuate the area in case of a fire.

CLEARANCE FROM SURFACES OR STRUCTURES

- ⚠ **WARNING:** Clearance from any surface or structure is 24 inches (609.6 mm) from the back and sides of the grill. Refer to "Typical Gas Supply Installation" before starting installation.
- ⚠ **WARNING:** The structure, "island", countertops, and adjacent work areas for the built-in grill installation must be built from noncombustible materials only.

NOTE: If you have questions on what materials are considered noncombustible, contact your local building materials supplier or fire department.

**CLEARANCES**

1	24 inches (610 mm) Any Surface
2	27 inches (685.8 mm) min. for lid clearance
a	Grill Frame
b	Note: For a countertop treatment: Recommended 3/4" (19.1 mm) overhang. Notch front edge for frame to fully slide in.

“ISLAND” STRUCTURE CONFIGURATION OPTIONS

There are many available options for locating the major components of your Island structure. Your major components are:

- 1) The Built in Grill
- 2) Gas supply enclosure
- 3) Optional Side burner accessory

The 3 common options (A, B, C) are illustrated in the “Island Structure Configuration Options” table.

NOTE: GAS LINE LIMITATION

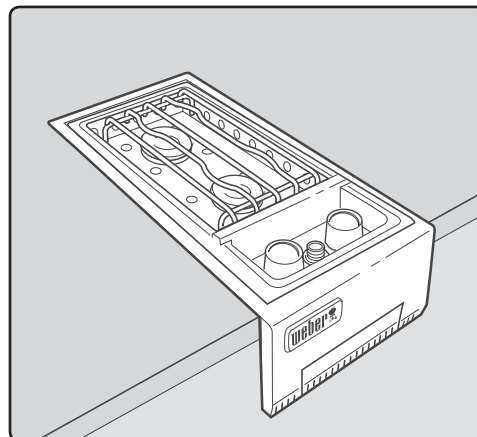
The gas supply hose from grill manifold to gas supply bulkhead must not exceed 58" (147cm). The 3/8 (9.52mm) Side Burner accessory hose (not included) must not exceed 58 (147cm).

“ISLAND” STRUCTURE CONFIGURATION OPTIONS

1	Summit® 4-burner/6-burner grill
2	Gas supply
3	Optional sideburner accessory

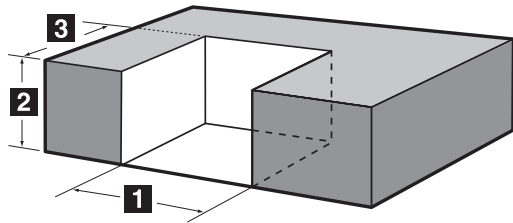
NOTE: IF YOU HAVE PURCHASED A SIDEBURNER:

If you have purchased a Side Burner accessory with your Summit® gas grill, Weber® recommends that you read the **SUMMIT® BUILT-IN SIDEBURNER INSTALLATION/OWNER'S GUIDE** before designing your “island” structure.



BUILT-IN STRUCTURE CUTOUT DIMENSIONS
ALL DIMENSIONS ARE TO FINISHED SURFACES.

⚠ WARNING: All countertop finished surfaces must be constructed of a noncombustible material.



BUILT-IN CUTOUT DIMENSIONS			
	S-460™	S-660™	TOLERANCES
1	30 1/4" (768.35 mm)	38 1/4" (971.55 mm)	+ 1/4" - 1/4" (6.35mm)
2	34 3/8" (873.13 mm)	34 3/8" (873.13 mm)	+ 1/4" - 1/4" (6.35mm)
3	23" (584.2 mm)	23" (584.2 mm)	+ 1/4" - 1/4" (6.35mm)

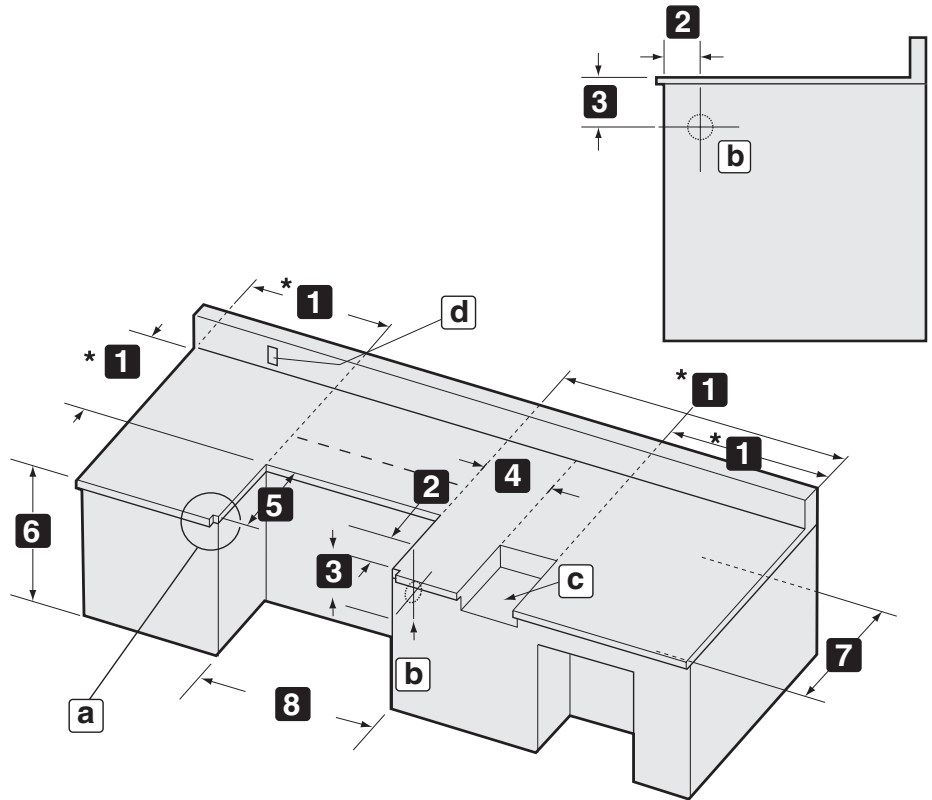
GENERAL CONSTRUCTION DETAILS

Summit® Built-In unit and all other accessory units should be on site before construction begins.

All dimensions have a tolerance of plus or minus (+/-) 1/4 inch (6.35 mm).

The grill frame rests directly on the Island Structure top finished surface. Make sure this surface is level. Do not support the grill from the bottom.

If the supporting structure is going to have an electrical outlet for a rotisserie, it should be on the left side of the structure.

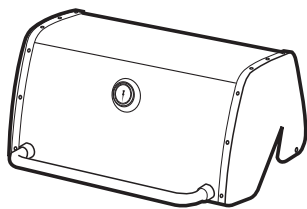


BUILT-IN CUTOUT DIMENSIONS

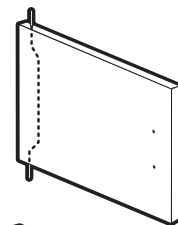
		S-460™	S-660™
DIMENSIONS	1	24 minimum* (610 mm)	24 minimum* (610 mm)
	2	4 3/4 (120.65 mm)	4 3/4 (120.65 mm)
	3	6 1/4 (158.75 mm)	6 1/4 (158.75 mm)
	4	10 1/2 (266.7 mm) minimum	10 1/2 (266.7 mm) minimum
	5	23 (584.2 mm)	23 (584.2 mm)
	6	34 3/8 (873.13 mm)	34 3/8 (873.13 mm)
	7	27 (685.8 mm) minimum distance from front edge of the cutout for open lid clearance	27 (685.8 mm) minimum distance from front edge of the cutout for open lid clearance
	8	30 1/4 (768.35 mm) Built-In Frame	38 1/4 (971.55 mm) Built-In Frame
a	Note: For a countertop treatment: Recommended 3/4 (19.1 mm) overhang. Notch front edge for frame to fully slide in.		
b	Gas Inlet		
c	Side Burner Opening		
d	Access for electric on left hand side		
* Clearance from any surface or structure is at least 24 (609.6mm) from the back and sides of the grill or side burner.			

S-460™

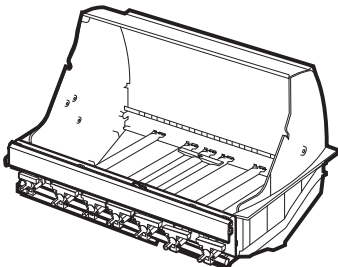
Lid - 1



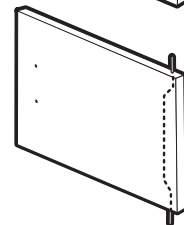
Left Door - 1



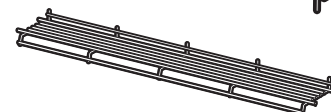
Cookbox - 1



Right Door - 1



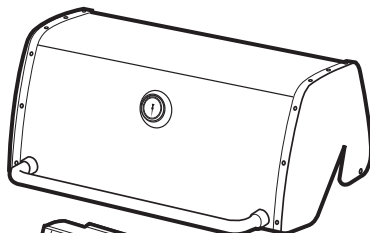
Warming Rack - 1



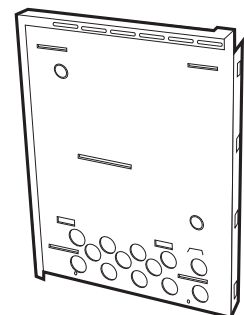
OR

S-660™

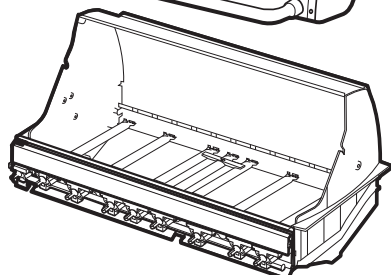
Lid - 1



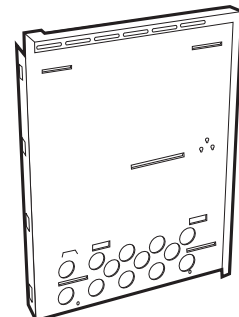
Right Enclosure Panel - 1



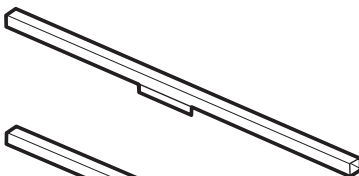
Cookbox - 1



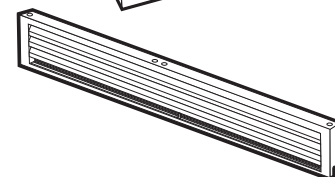
Left Enclosure Panel - 1



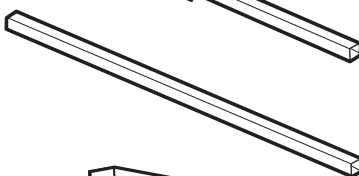
Front Frame Rail - 1



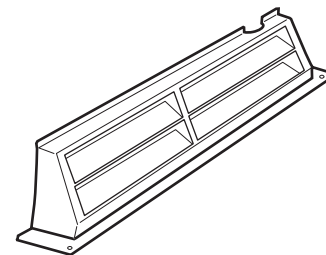
Front Vent Panel - 1



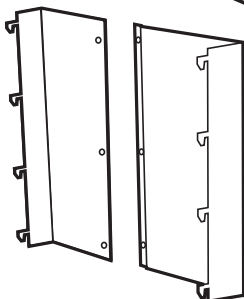
Rear Frame Rail - 1



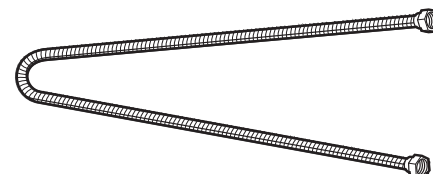
Rear Vent - 1



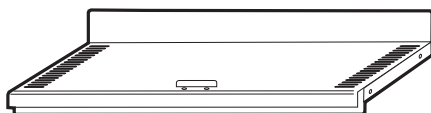
Rear Panel Assembly - 1



Corrugated Gas Line - 1



Bottom Shelf - 1



Flavorizer® Bars

S-460™ - 8

S-660™ - 12

Stainless Steel Cooking Grates

S-460™ - 2

S-660™ - 3

Collection Tray - 1

Catch-Pan Holder - 1

Catch-Pan - 1

Disposable Drip Pans - 2

Battery Housing - 1

Right Front Vent Clip - 1

Left Front Vent Clip - 1

Rotisserie - 1

Rotisserie Fork - 4

Rotisserie Motor - 1

Rotisserie Bracket - 1

Handle - 2

Smoker - 1

Smoker Bar - 1

1/2 inch Bolts (1/4-20 x 1/2 inch Bolt) - 10

Nylon Washer - 10

Hinge Pin - 2

Hair Pin Cotter - 2

#10-24 x 1 inch Steel Screw - 2

Locking Washer - 2

#10-32 x 1/4 inch Steel Screw - 5

1/4-20 x 1/2 inch Truss Head Screw - 2

#10 Sheet Metal Screw - 3

Flat Head Screw - 2

Plastic Anchors - 5

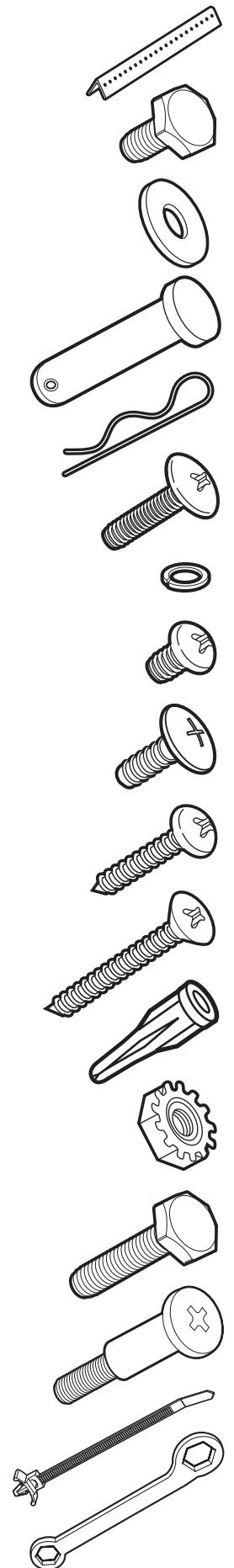
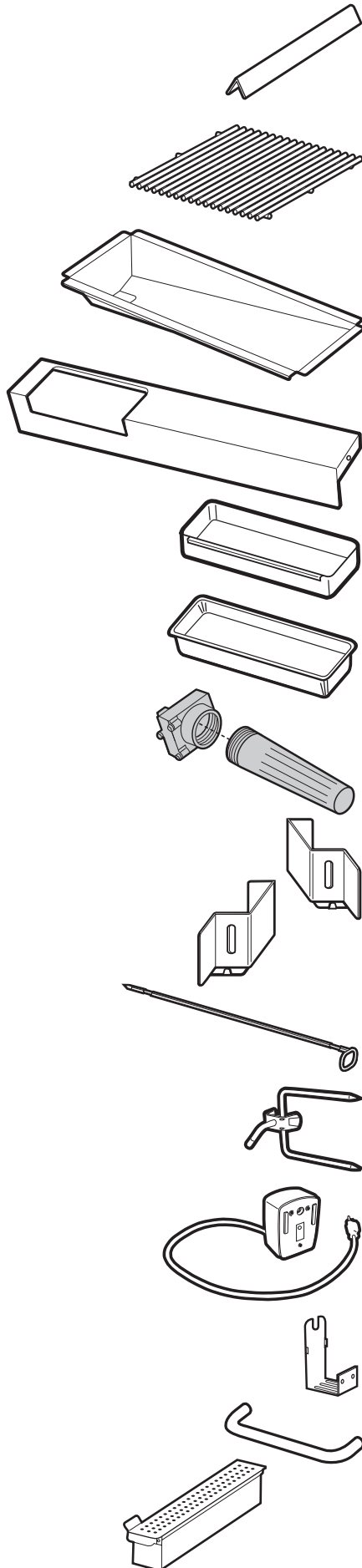
Keps Nuts (1/4 x 20 Keps Nut) - 2

1 inch Bolt (1/4-20 x 1 inch Bolt) - 2

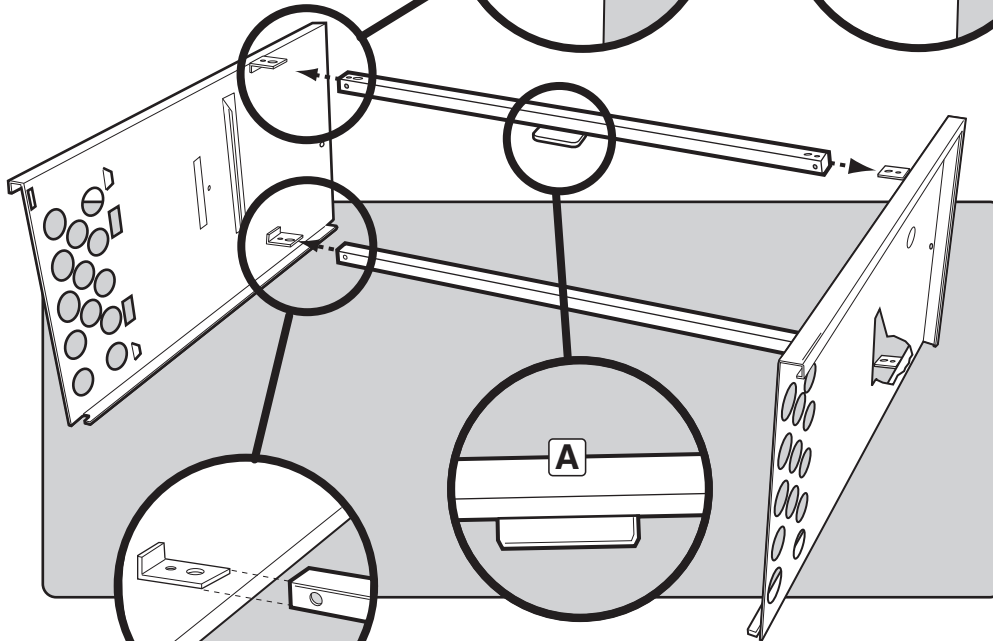
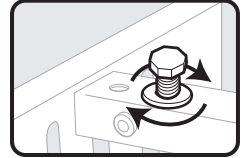
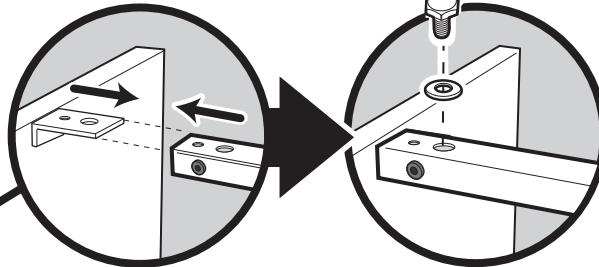
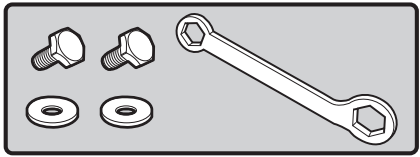
Handle Hardware - 4

Wire Tie - 1

7/16 inch Wrench - 1



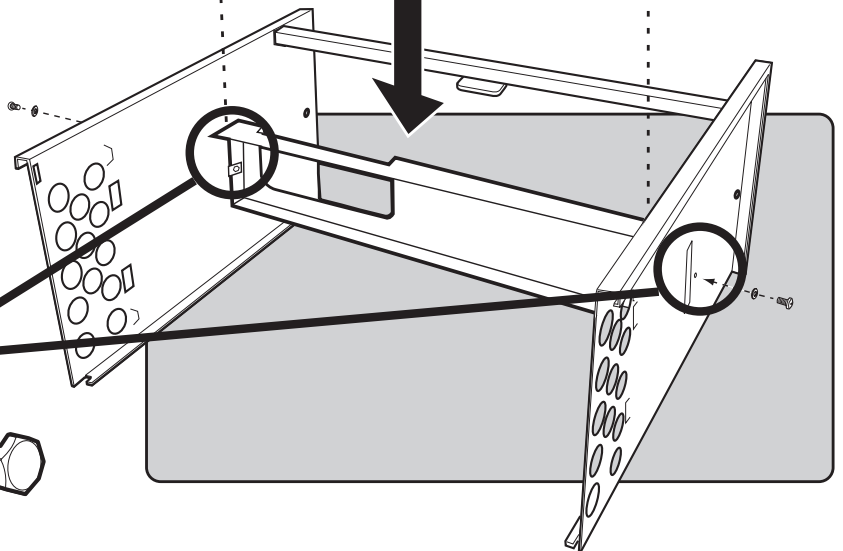
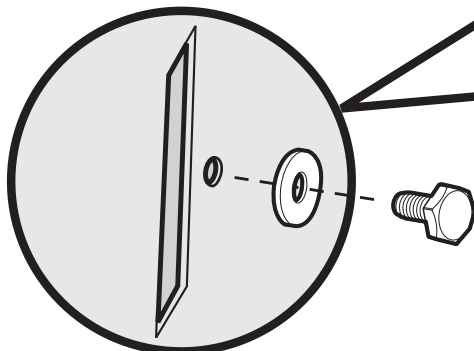
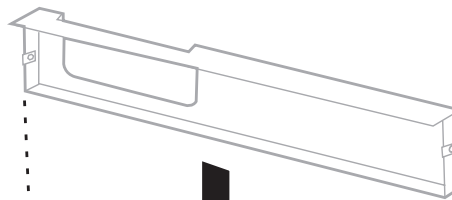
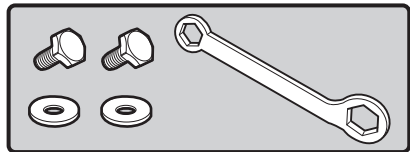
1



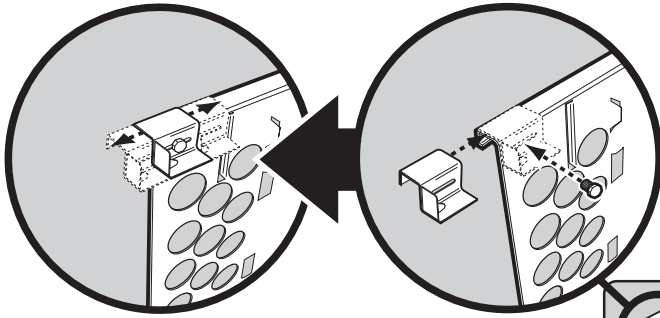
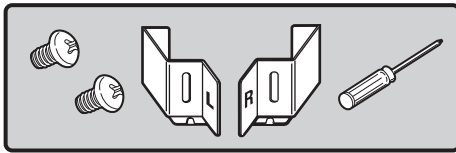
Door Stop Bracket (A) should be positioned as shown.

⚠ ATTENTION! Do not attach rear support screws and washers until Step #6.

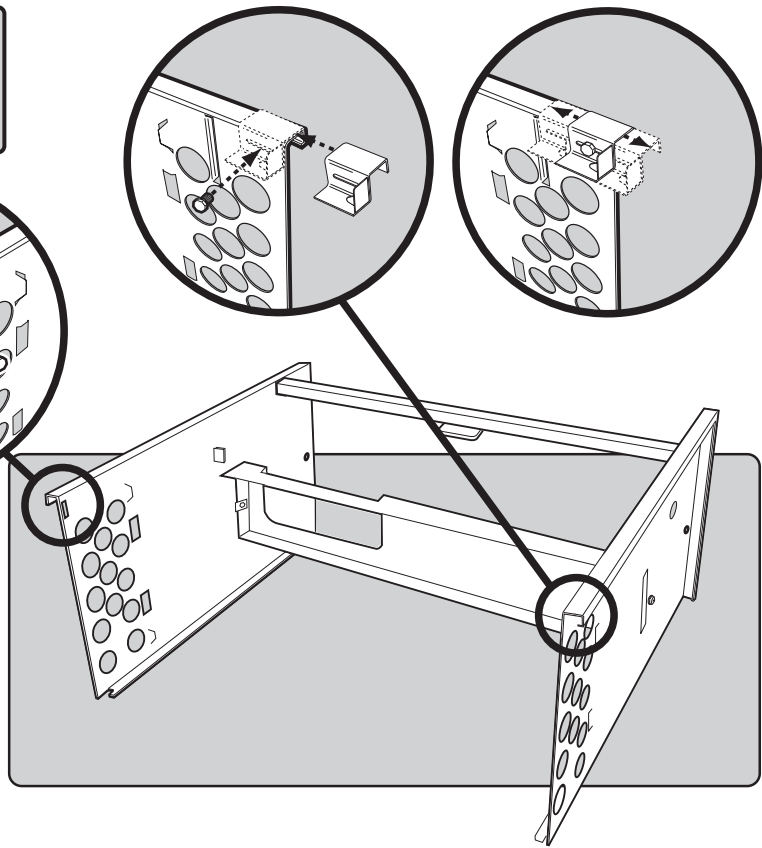
2



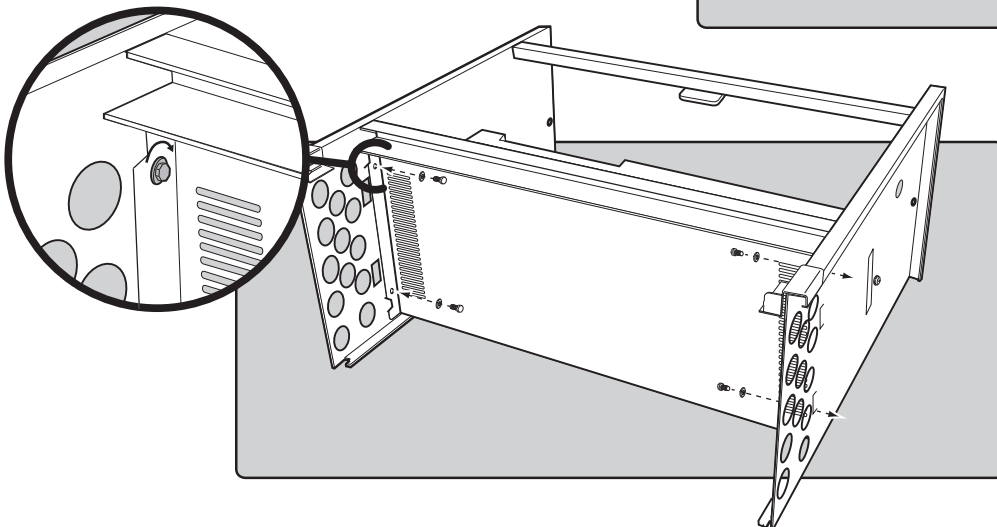
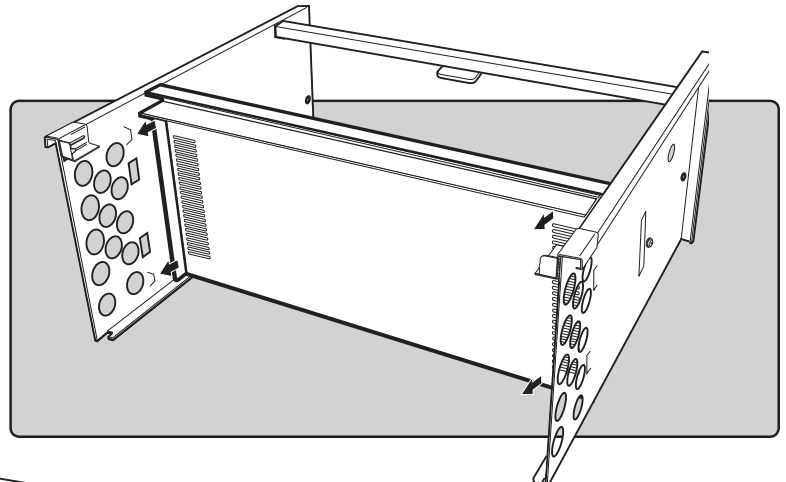
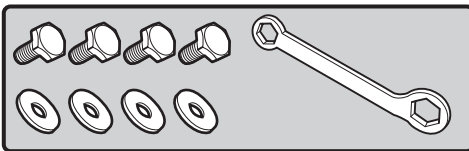
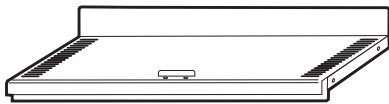
3



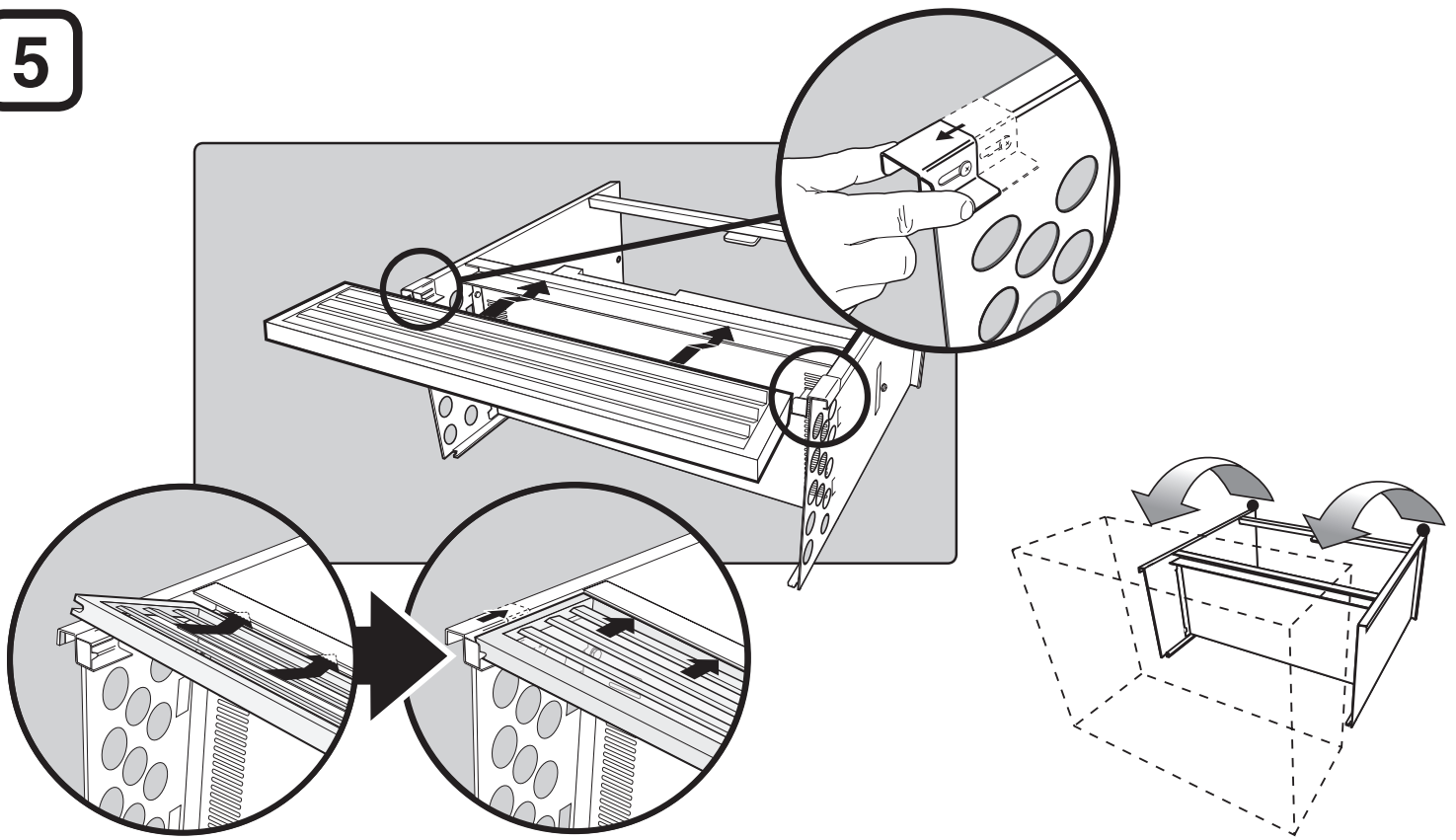
⚠ **ATTENTION!** Do not fully tighten screws. Clips should slide freely when installed.



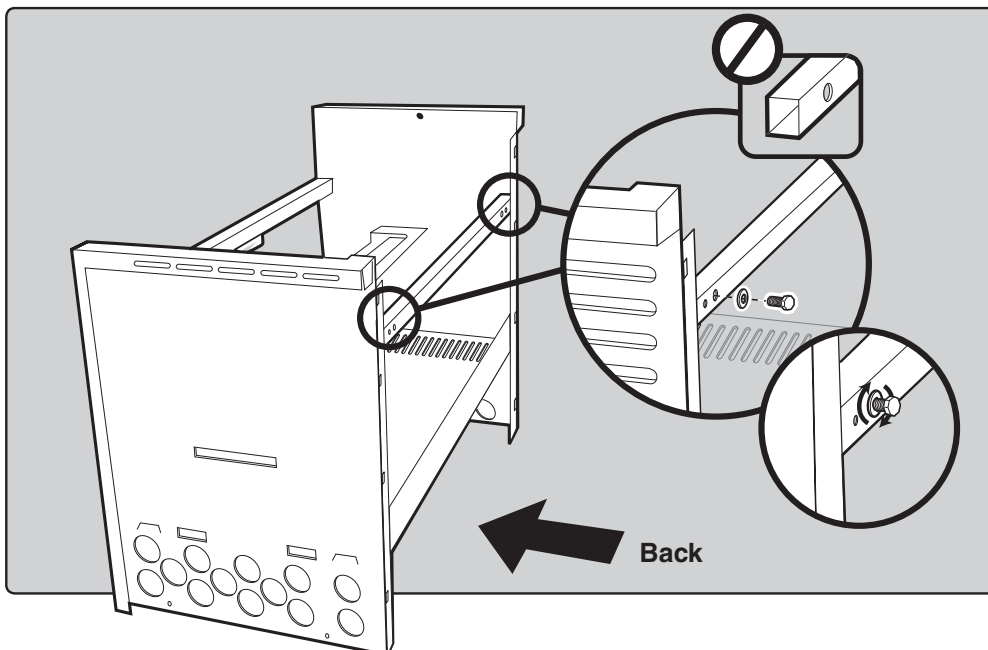
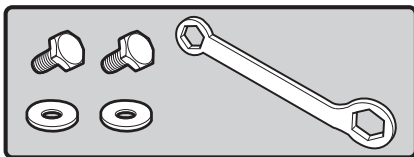
4



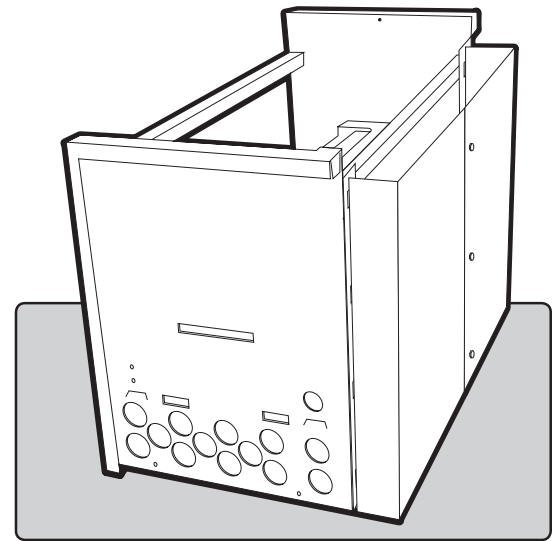
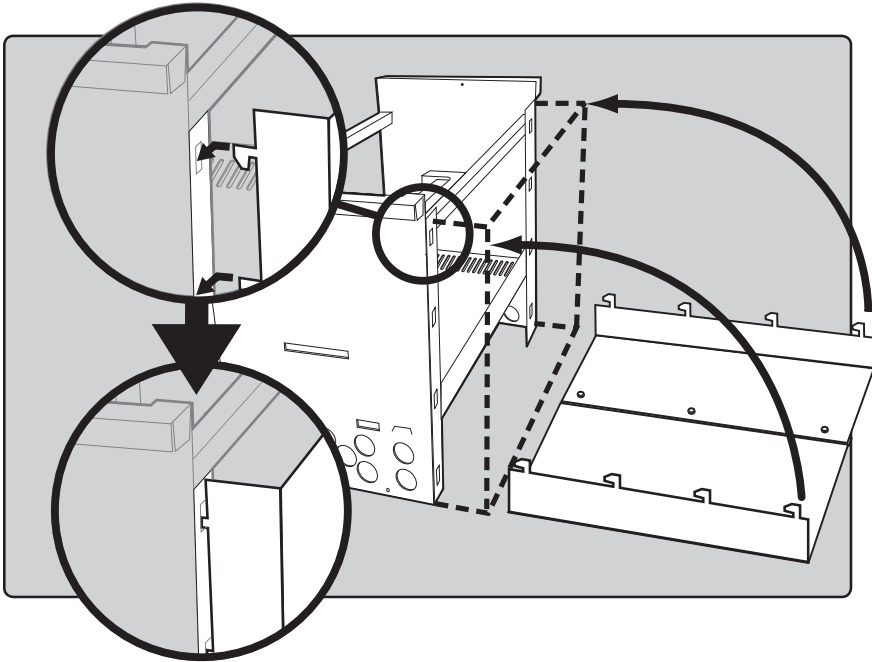
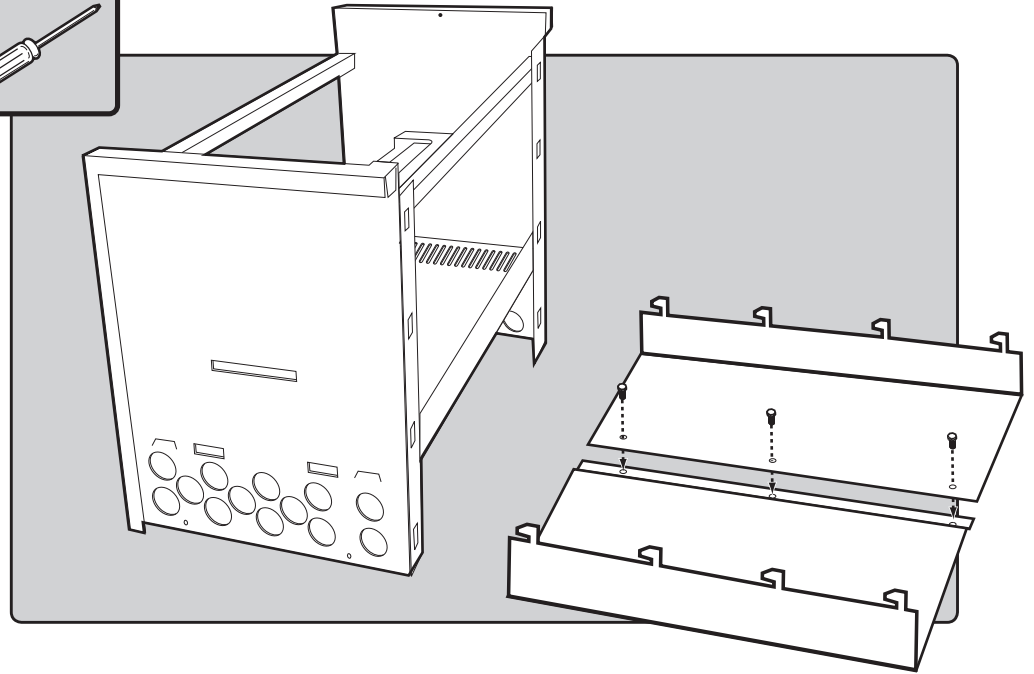
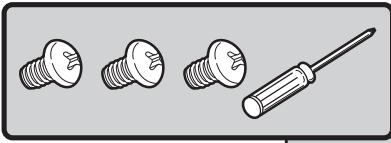
5



6



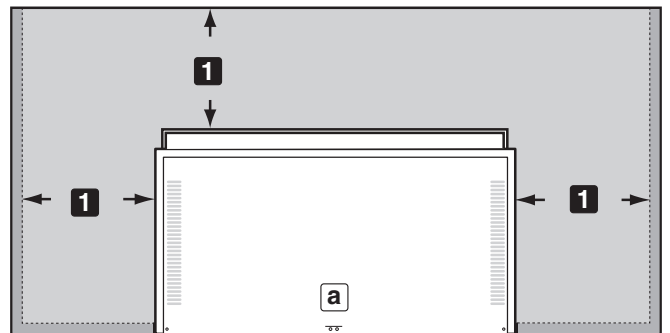
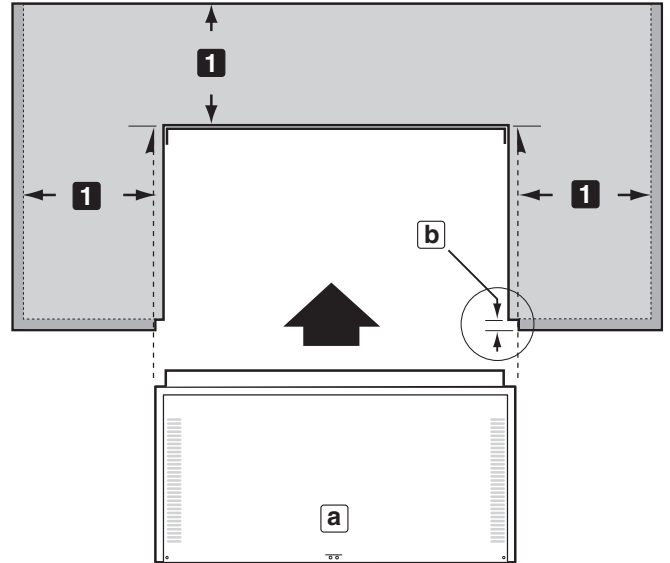
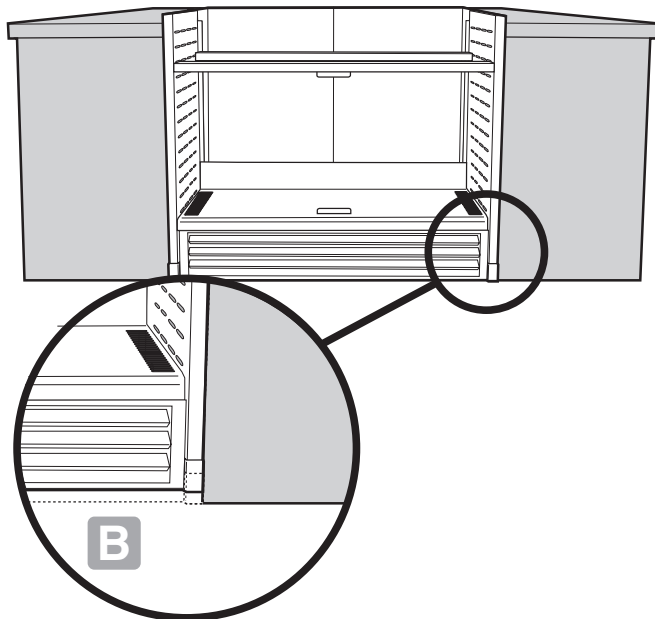
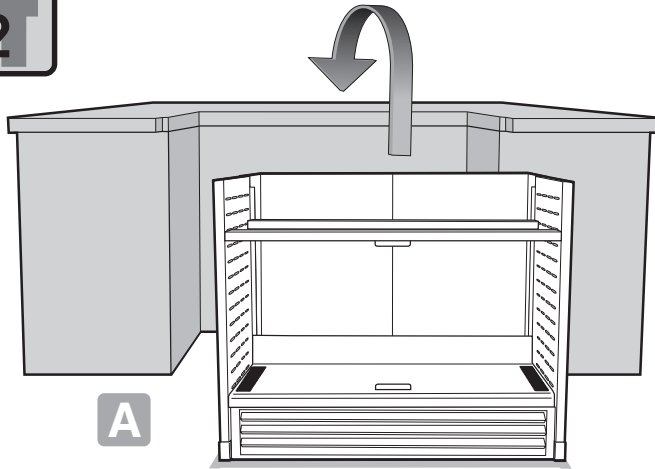
7



8

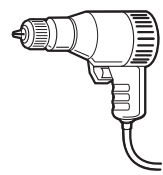
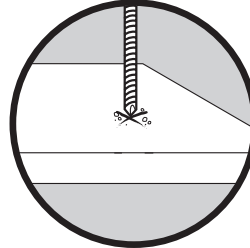
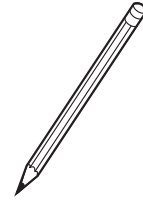
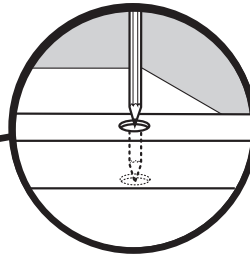
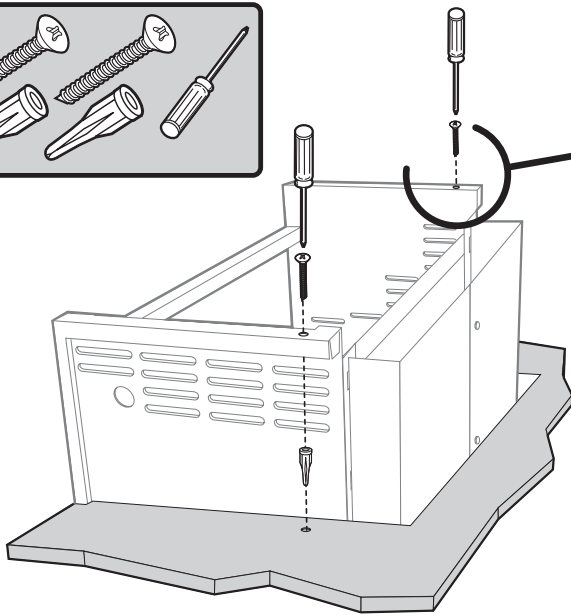
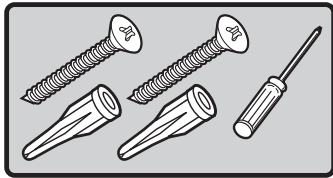
⚠ CAUTION: Use two people to lift and install the Summit® Built-In frame assembly.

- A) Lift the frame assembly into the "island" structure opening. Make sure the frame is resting level on the finished surface of the structure.
- B) Adjust the Front Vent to rest squarely on ground.

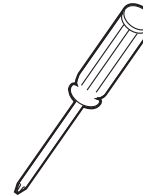
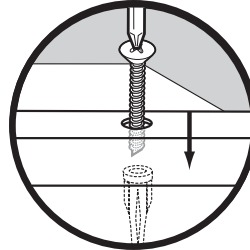
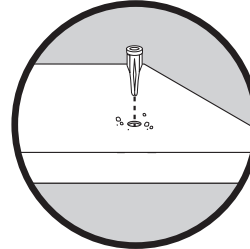


CLEARANCES	
1	24" (610 mm) Any Surface
a	Grill Frame
b	Note: For a countertop treatment: Recommended 19.1 mm (3/4" inch) overhang. Notch front edge for frame to fully slide in.

9



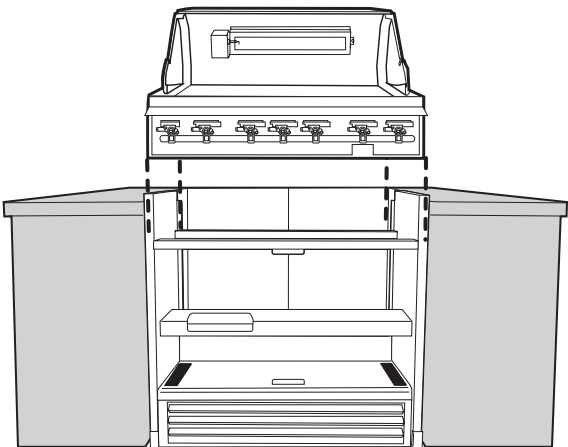
1/4" (6.35 mm)
Drill Bit



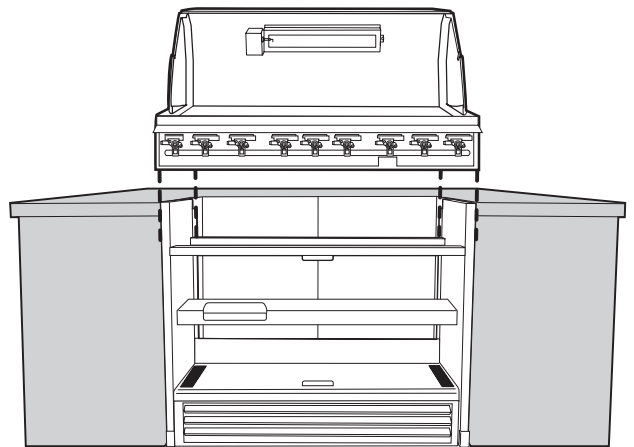
10



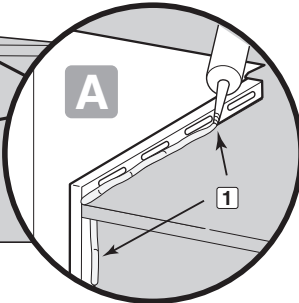
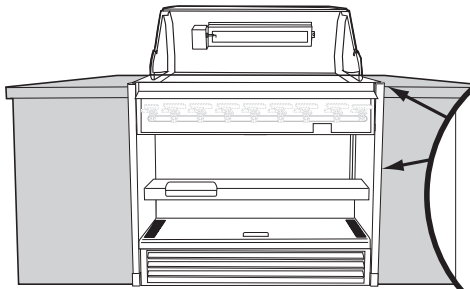
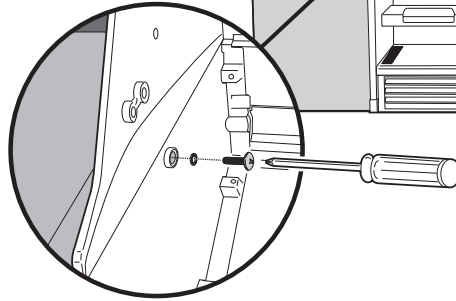
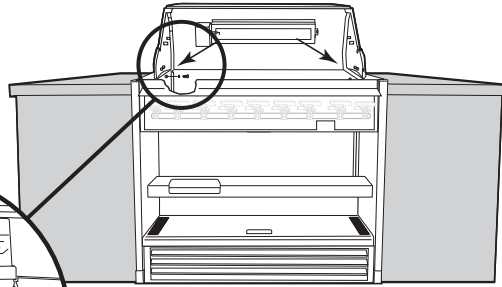
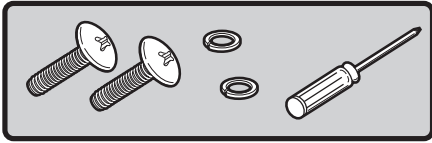
S-460™



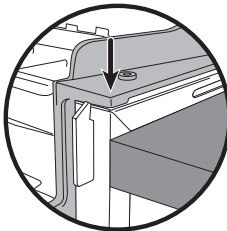
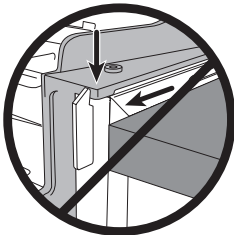
S-660™



11



A) Apply a bead of silicone sealant (1) around the perimeter and front edges of the grill that are in contact with the "island" structure. This will prevent moisture seepage. The sealant you use must have a temperature rating above 120°F (48.8° C).

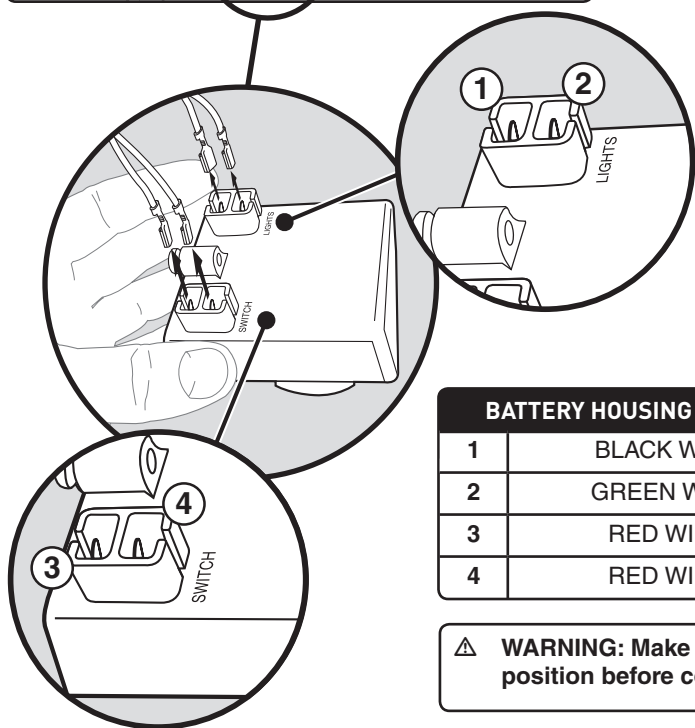
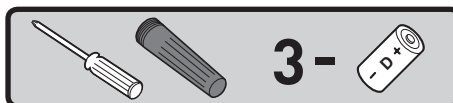
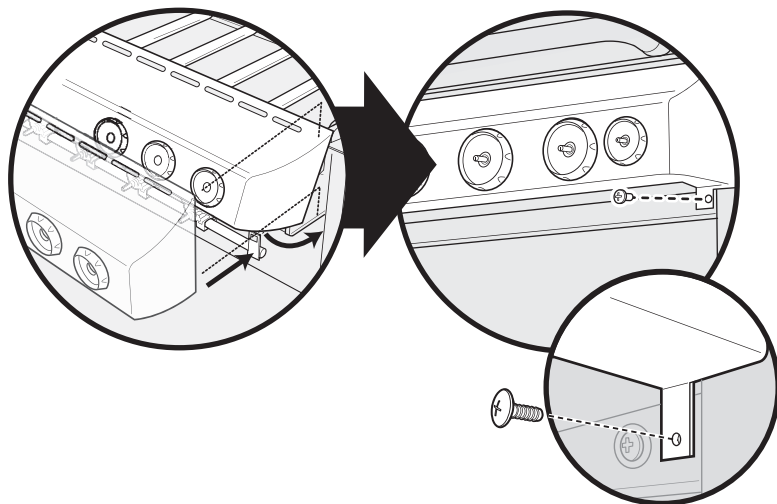
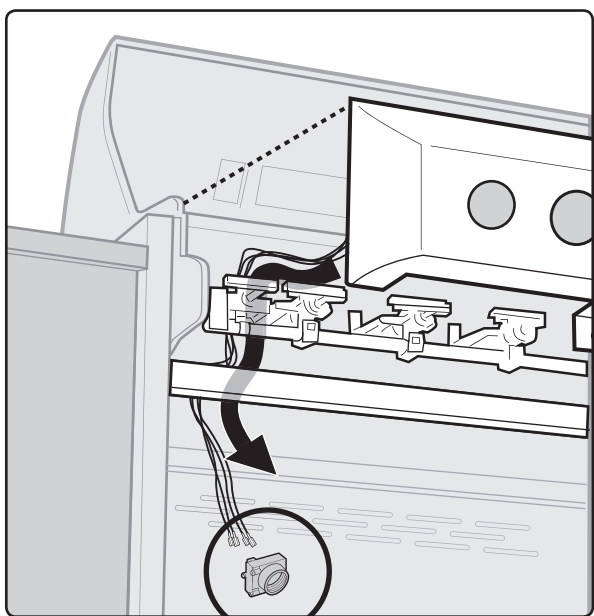
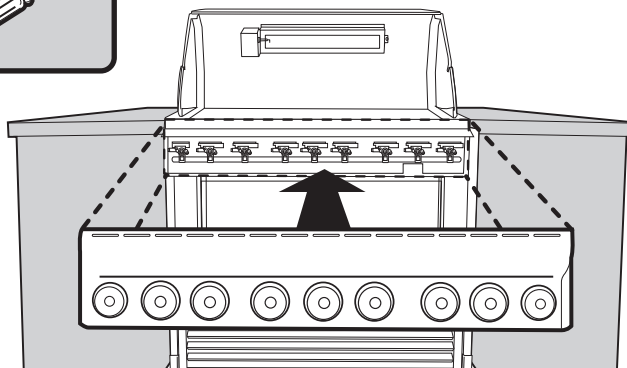
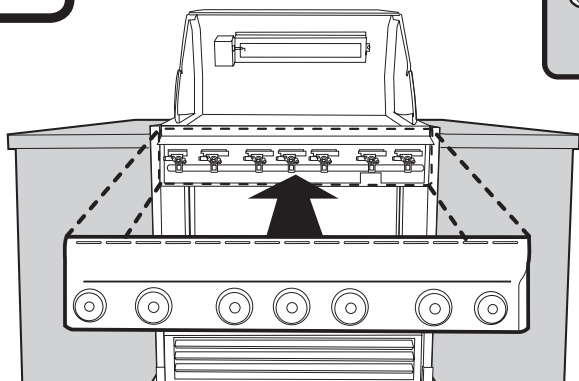
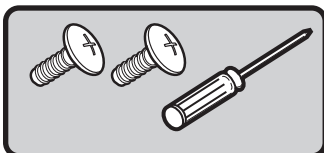


⚠ **ATTENTION!** Before applying any silicone sealant make sure the cookbox is flush with the front of the grill frame.

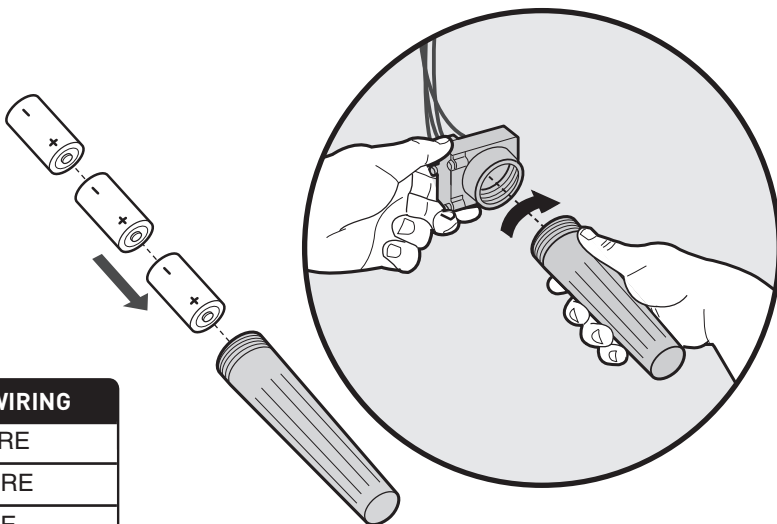
12

S-460™

S-660™

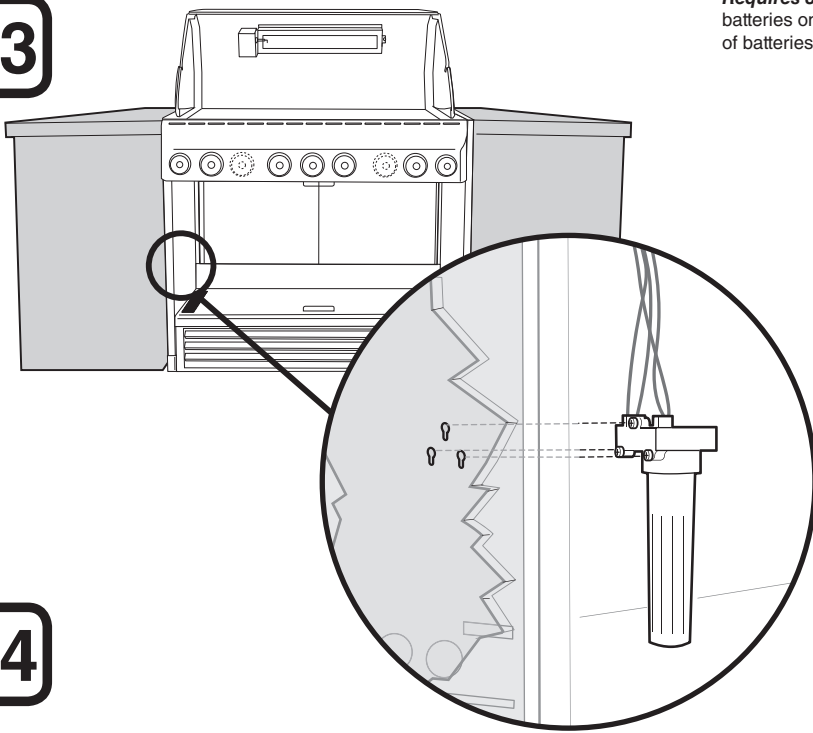


BATTERY HOUSING WIRING	
1	BLACK WIRE
2	GREEN WIRE
3	RED WIRE
4	RED WIRE



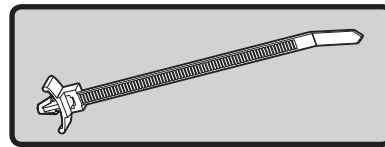
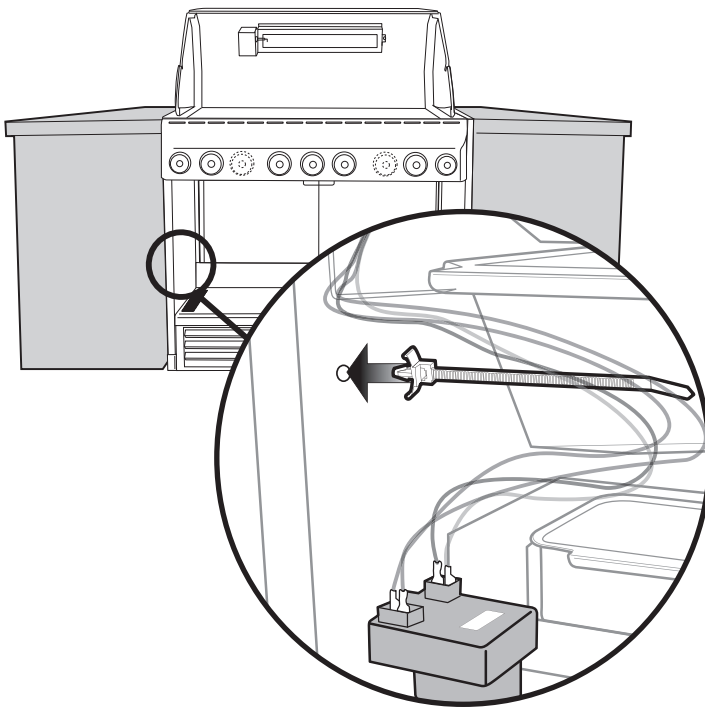
⚠ WARNING: Make sure that all control knobs are turned to the OFF position before connecting the gas supply and operating the grill.

13

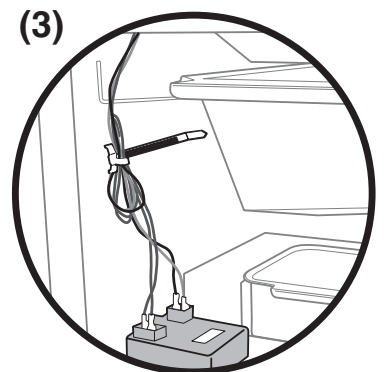
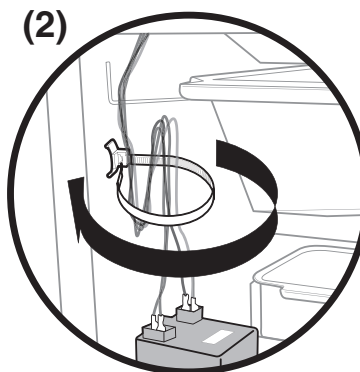
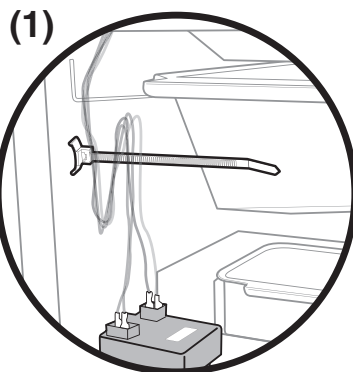


Requires 3 "D" alkaline batteries (Included). Use alkaline batteries only. Do not mix old and new batteries or different types of batteries (standard, alkaline or rechargeable).

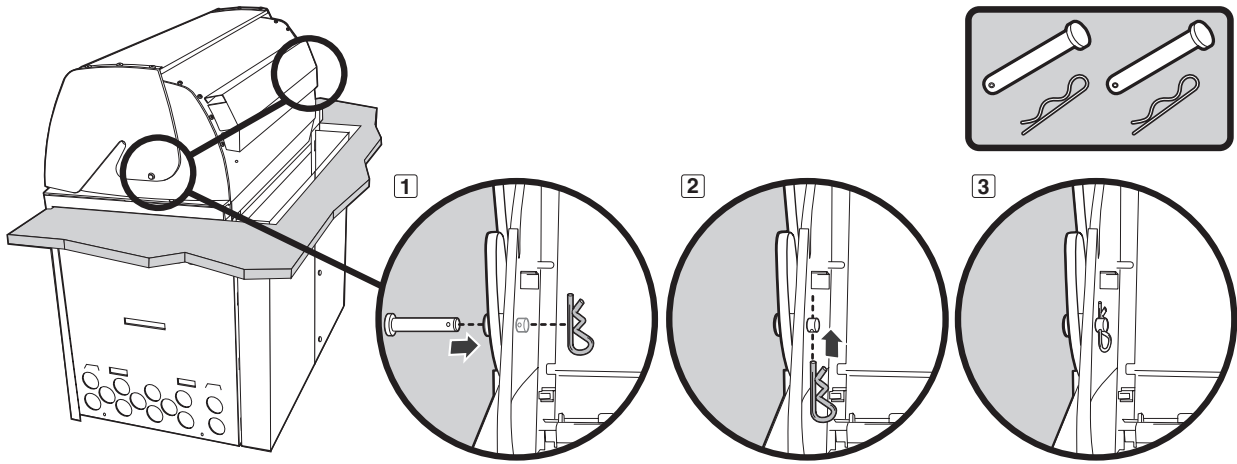
14



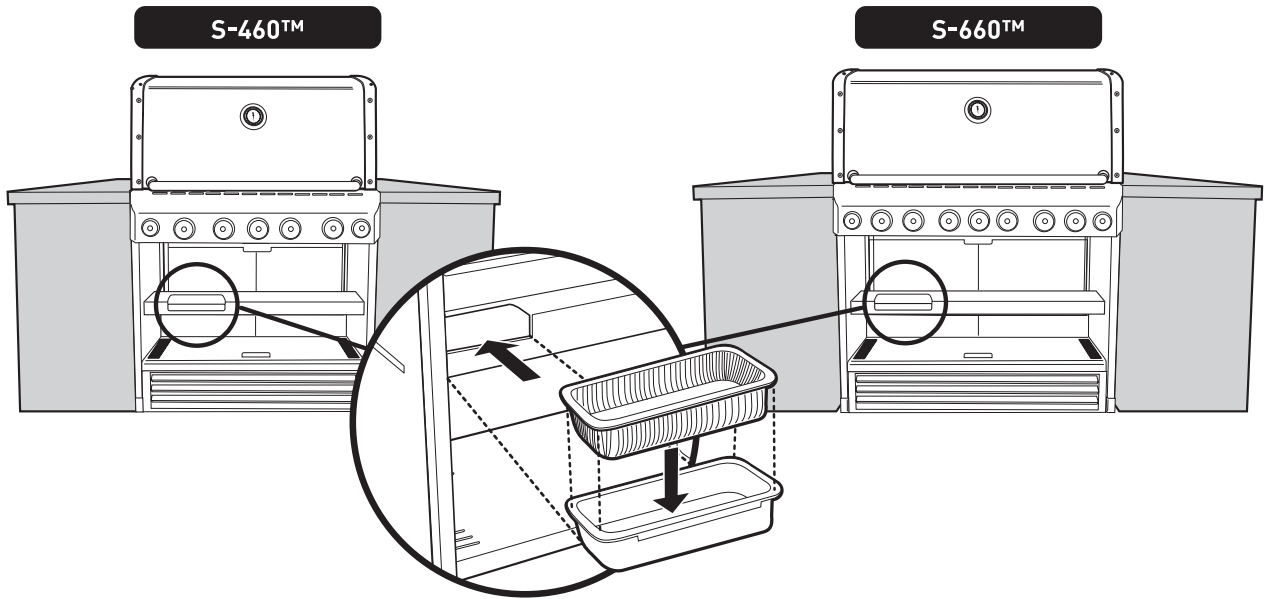
Note: Secure wire to side panel.



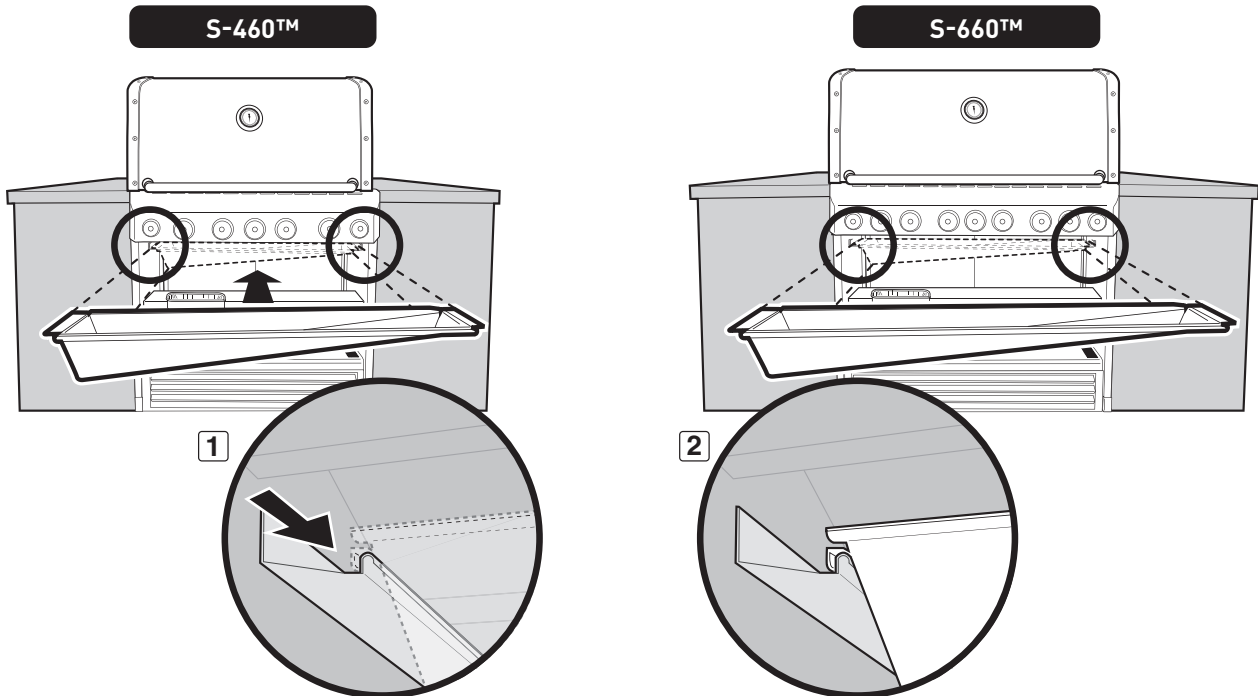
15



16



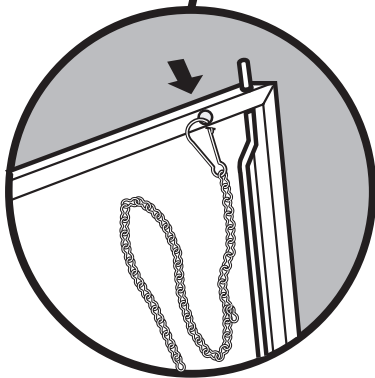
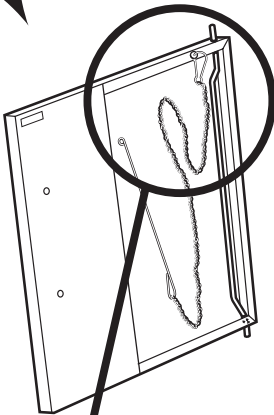
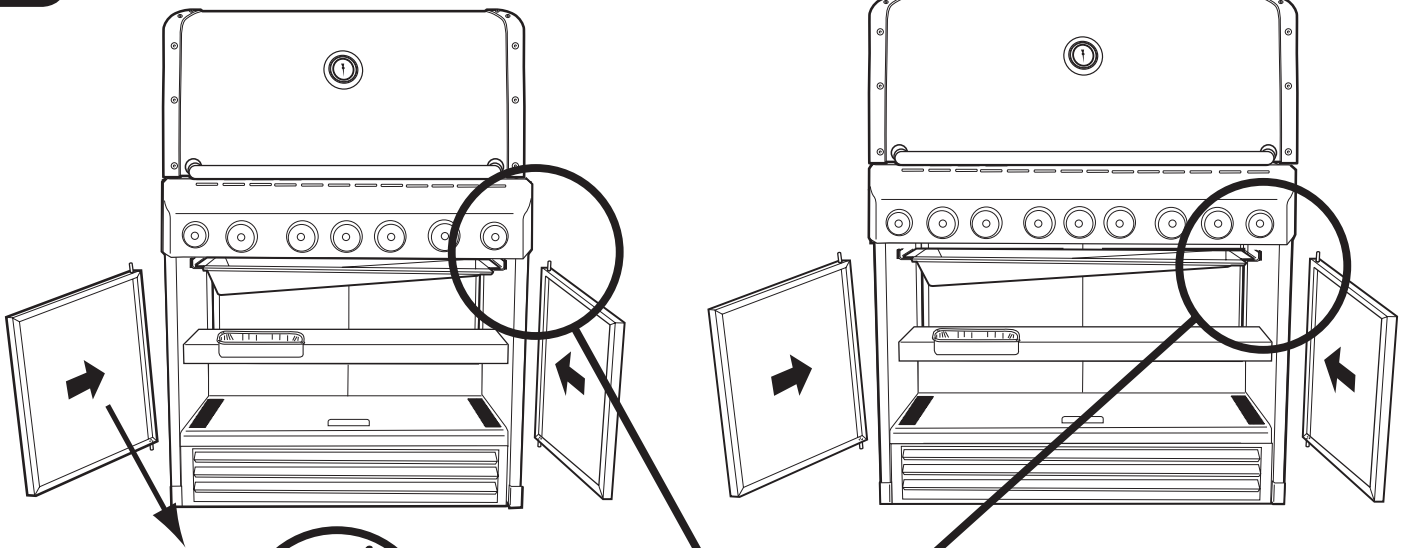
17



18

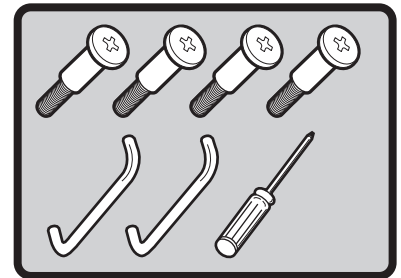
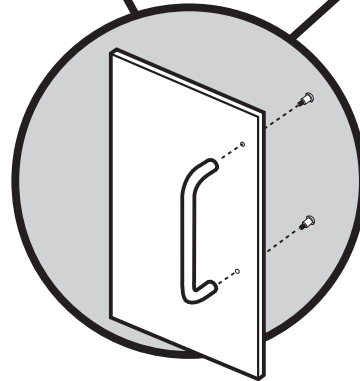
S-460™

S-660™

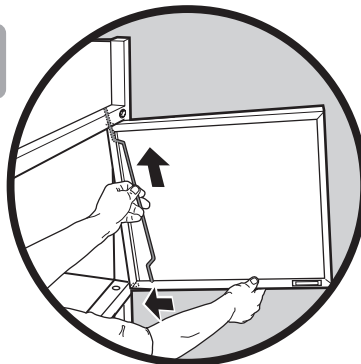


Match Holder

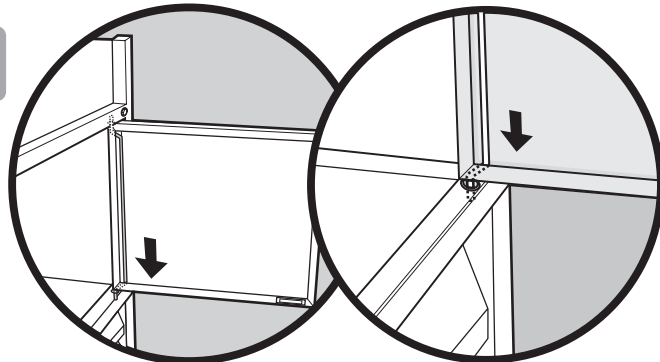
A



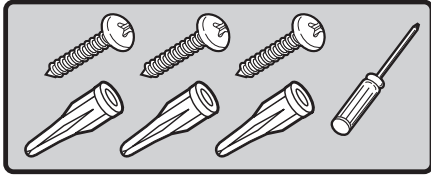
B



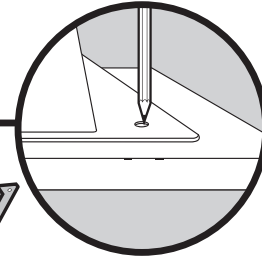
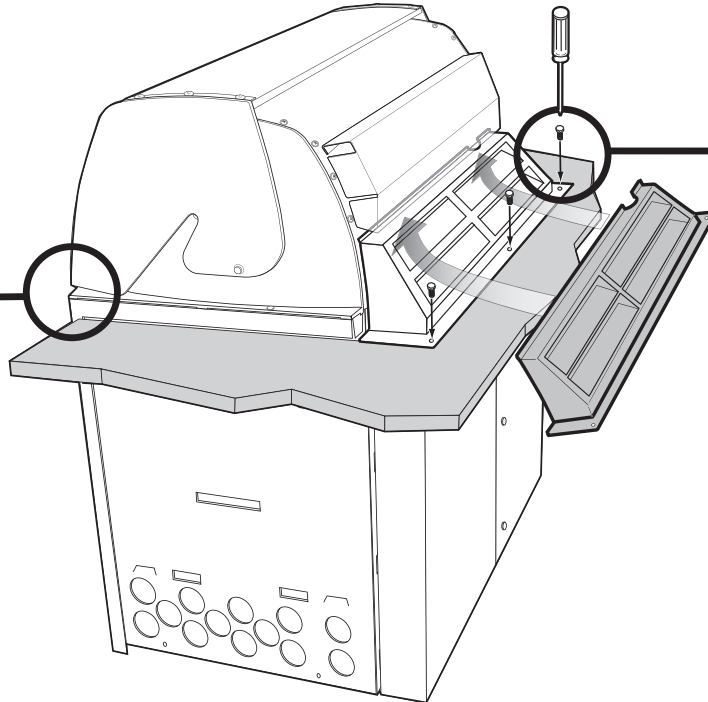
C



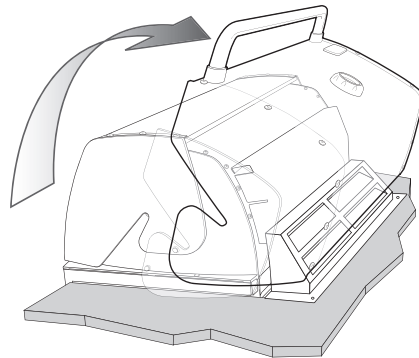
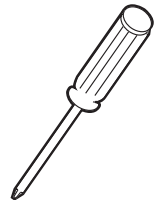
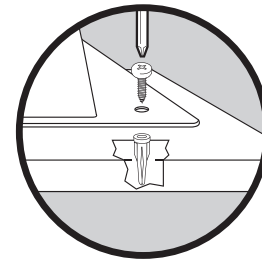
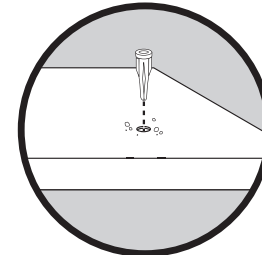
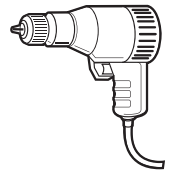
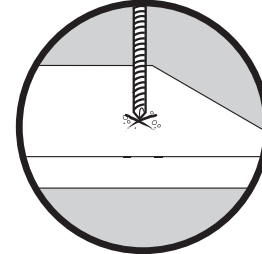
19



⚠ ATTENTION!
Before drilling any holes for the rear vent make sure the cookbox is flush with the front of the grill frame.

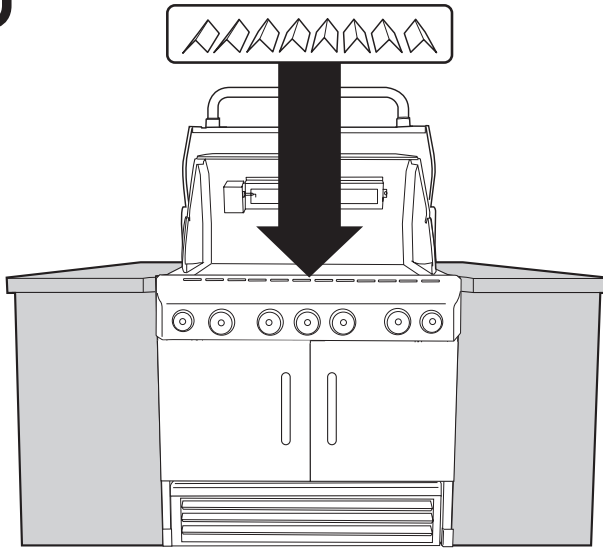


1/4" (6.35 mm)
Drill Bit

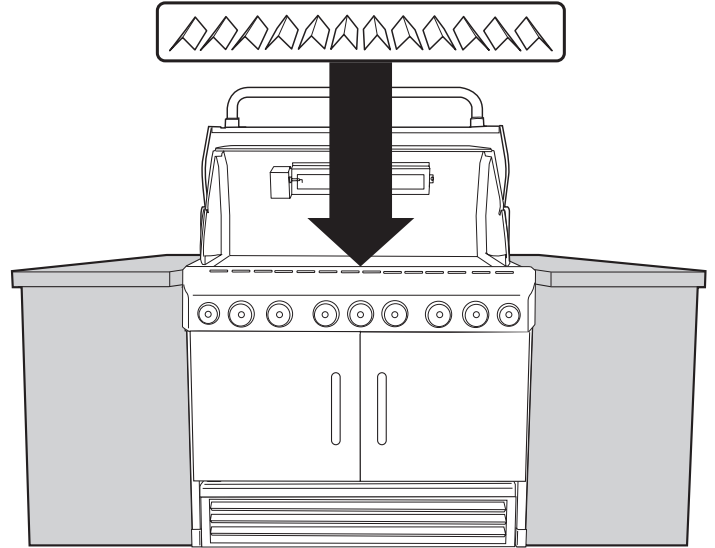


20

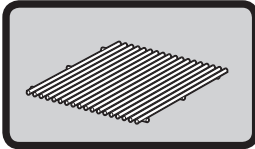
S-460™



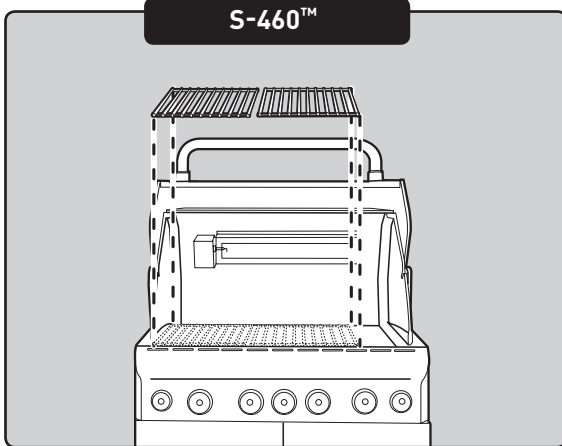
S-660™



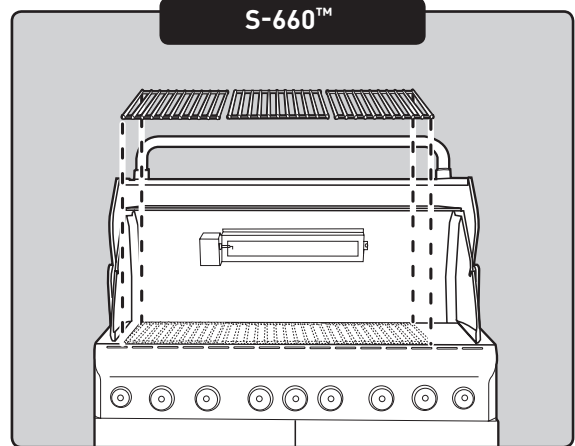
21



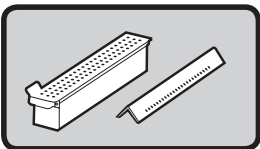
S-460™



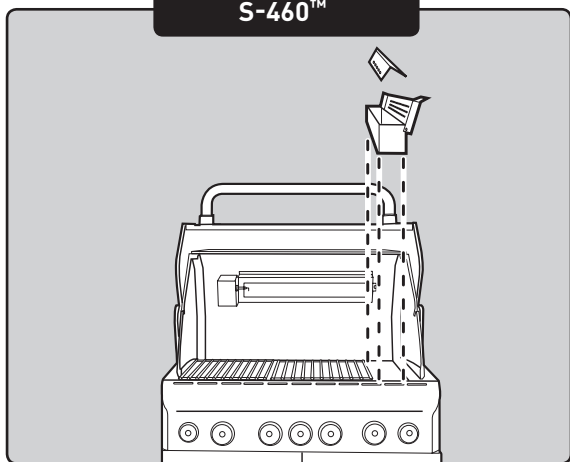
S-660™



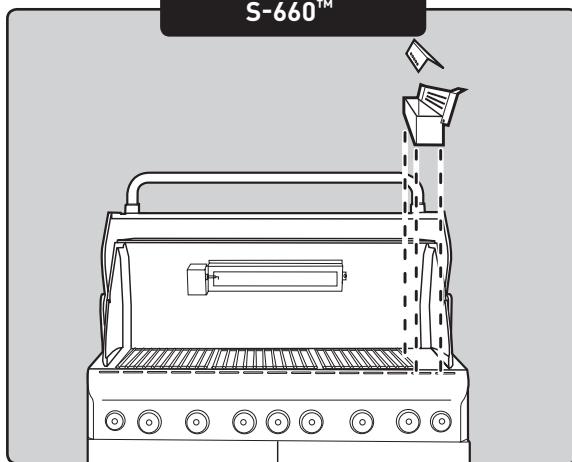
22



S-460™

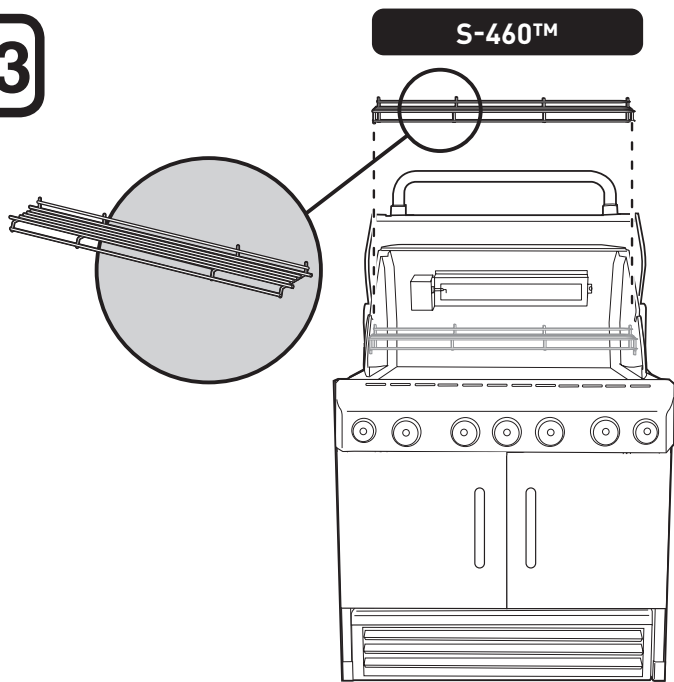


S-660™

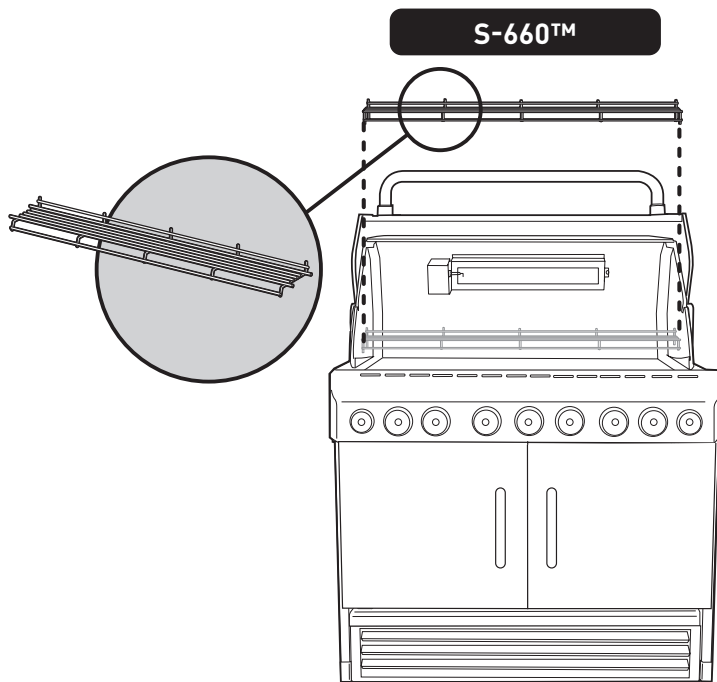


23

S-460™



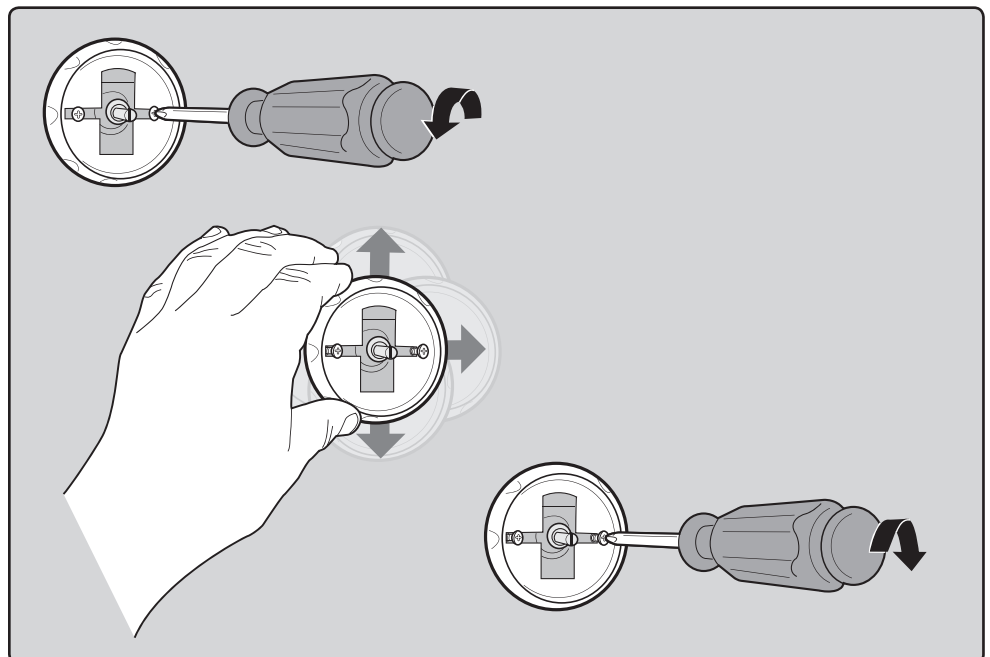
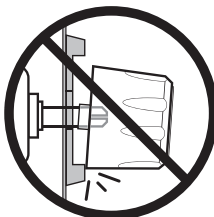
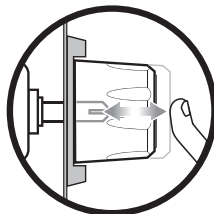
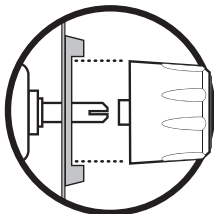
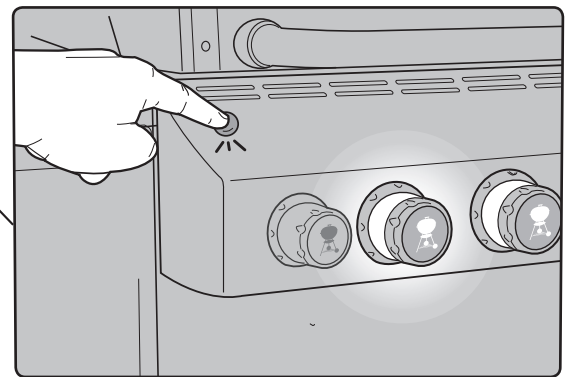
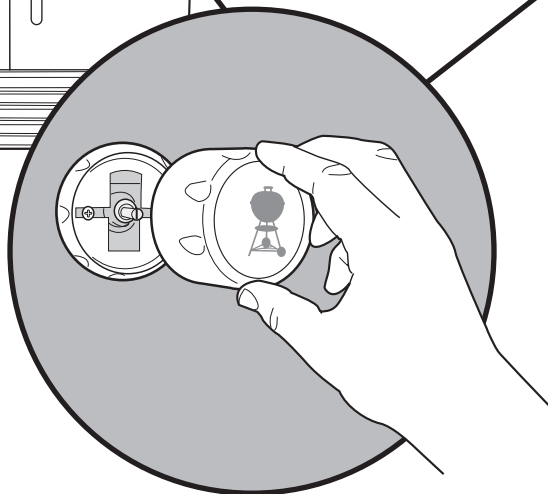
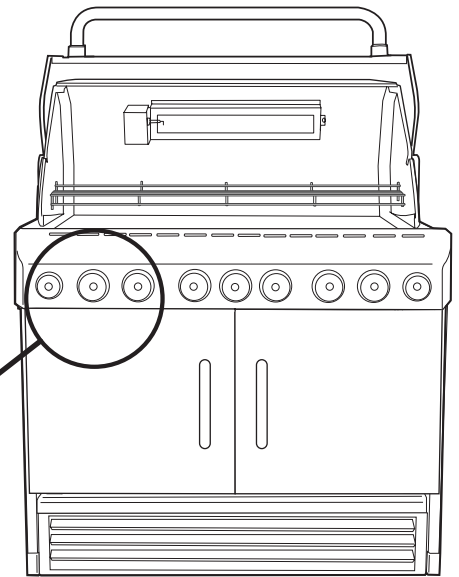
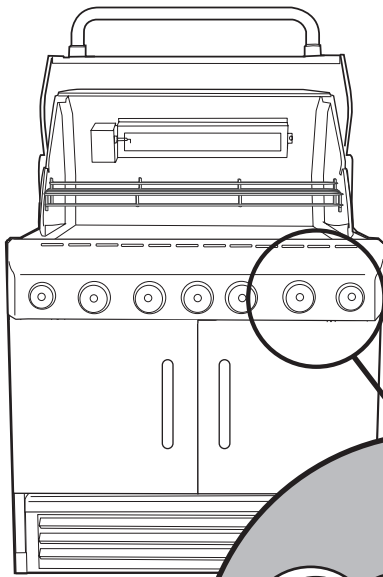
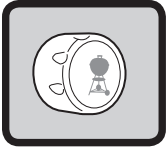
S-660™



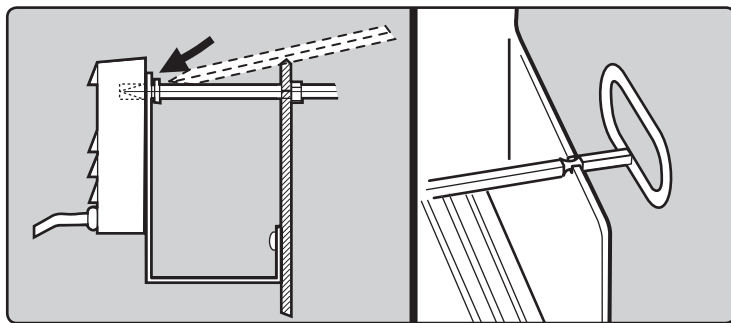
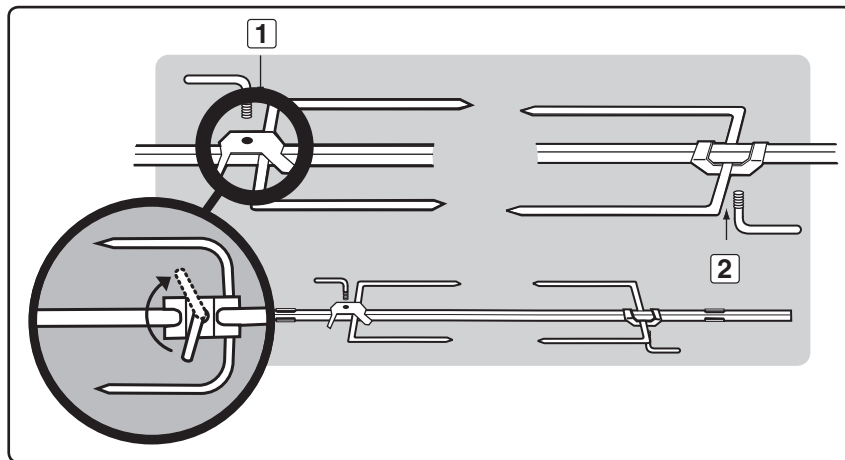
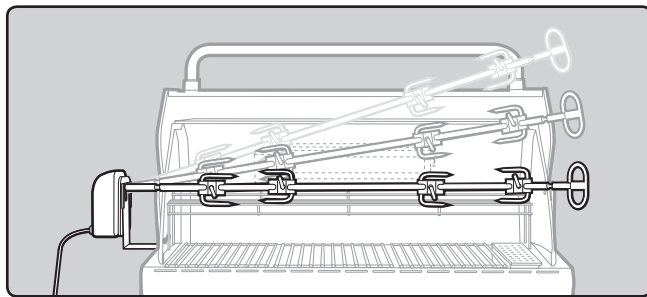
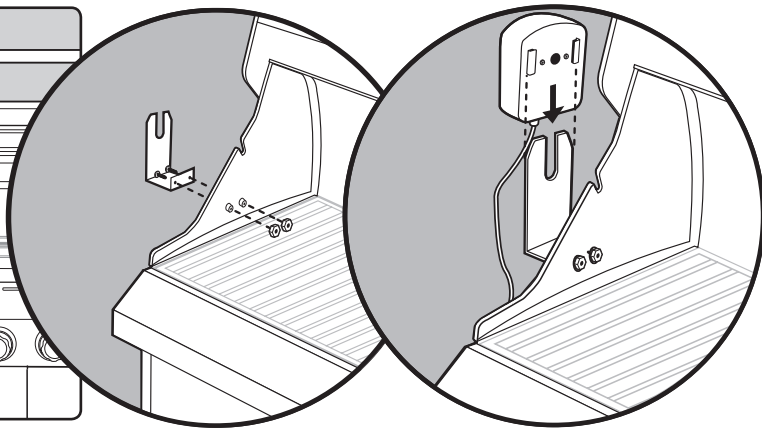
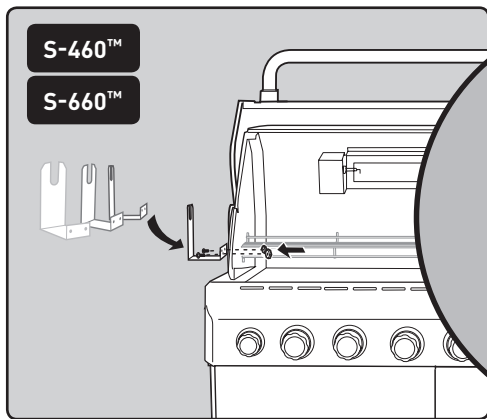
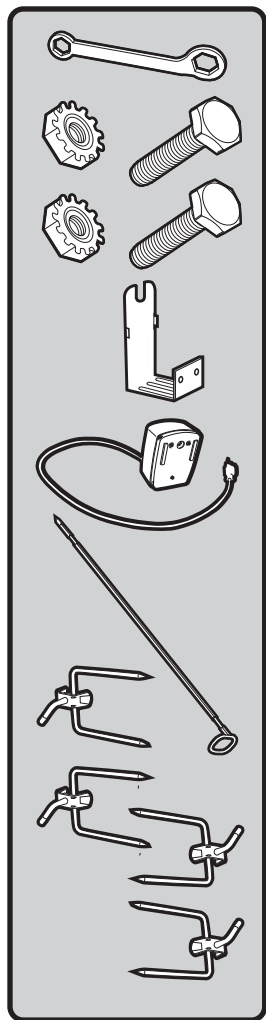
24

S-460™

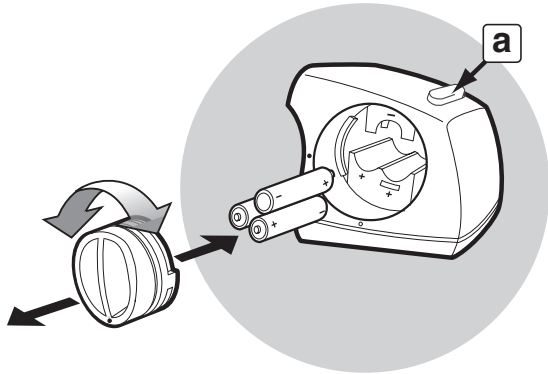
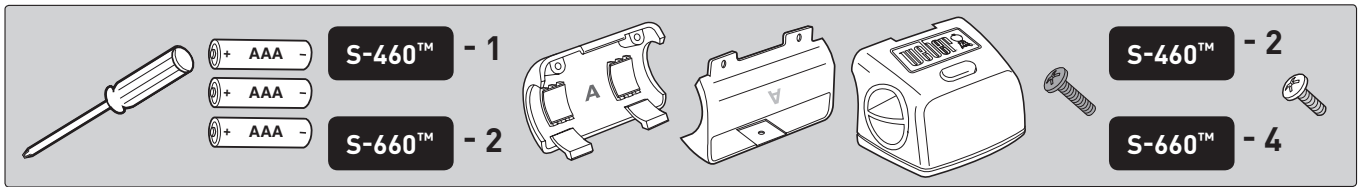
S-660™



25

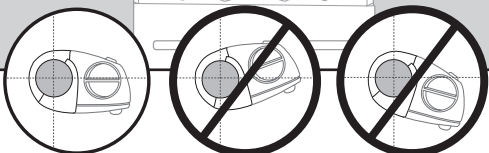
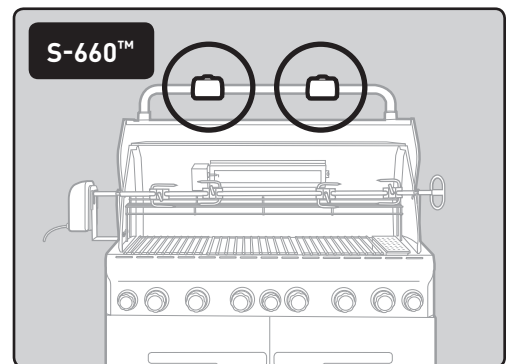
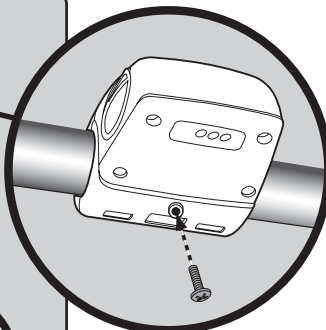
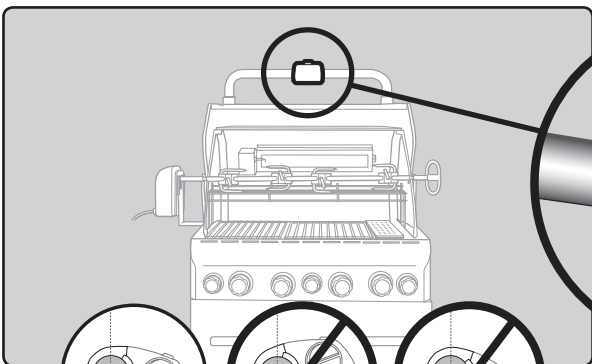
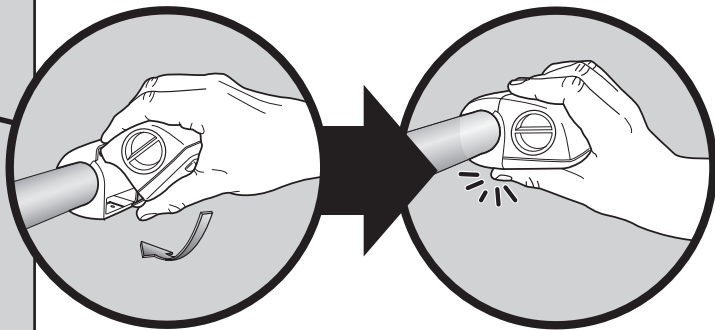
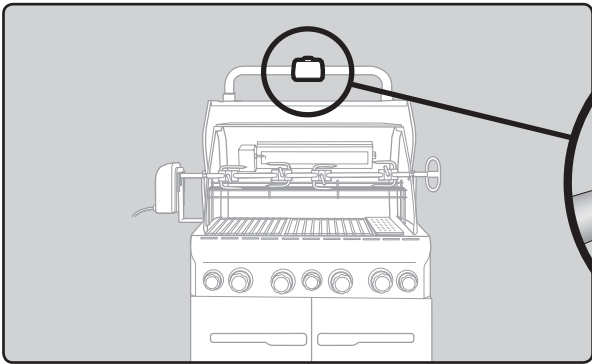
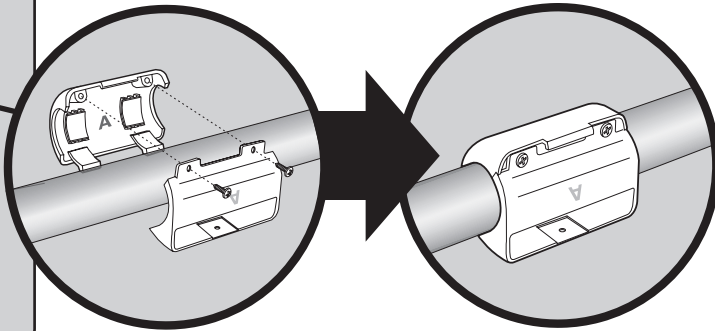
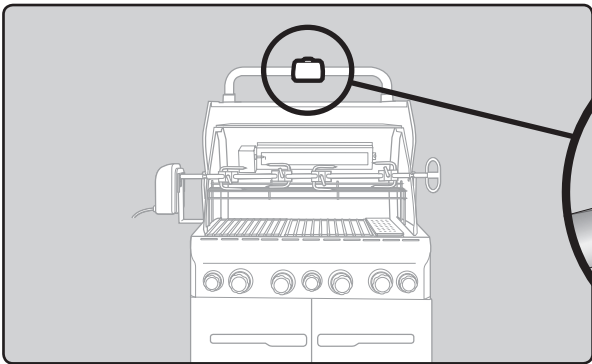


26



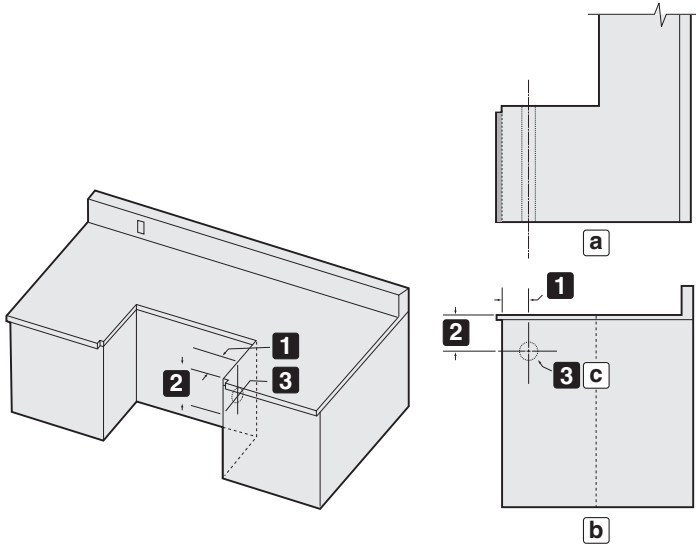
The Weber Grill Out™ Handle Light has a "Tilt Sensor": Lid up - ON / Lid Closed - OFF. The power button (a) activates or deactivates the "Tilt Sensor." For daytime use, deactivate the sensor by pressing power button (a).

Requires 3 "AAA" alkaline batteries (not included)



BUILT-IN GAS LINE LOCATIONS

Note: Leave an access in the "island" structure for gas supply and regulator service that is not inside the grill structure. Note: Area should be kept clear of sharp, jagged, or extremely abrasive surfaces to avoid possible damage to gas supply lines. Exercise caution when pulling gas lines through built-in structure.



BUILT-IN GAS LINE LOCATIONS

		S-460™	S-660™	TOLERANCES
DIMENSIONS	1	4 ¾ (120.65 mm)	4 ¾ (120.65 mm)	+1/8 (3.8mm) - 1/8 (3.8mm)
	2	6 ¼ (158.8 mm)	6 ¼ (158.8 mm)	+1/8 (3.8mm) - 1/8 (3.8mm)
	3	2 ½ (63.5 mm)	2 ½ (63.5 mm)	+1/8 (3.8mm) - 1/8 (3.8mm)
	a	Plan View Left		
	b	Side View		
	c	Gas Inlet		

TYPICAL BULK PROPANE GAS SUPPLY INSTALLATION

We recommend that this installation be done by a LICENSED professional.

GENERAL SPECIFICATIONS FOR PIPING

Note - Contact your local municipality for building codes regulating outdoor gas grill installations. In absence of Local Codes, you must conform to the latest edition of the National Fuel Gas Code ANSI Z223.1/NFPA 54, Natural Gas and Propane Installation Code, CSA B149.1, or Propane Storage and Handling Code, B149.2, or the Standard for Recreational Vehicles, ANSI A 119.2/NFPA 1192, and CSA Z240 RV Series, Recreational Vehicle Code, as applicable.

- This grill is designed to operate at 11 inches of water column pressure. An LP in line regulator may be necessary for this pressure.

⚠ CAUTION: If young children are in the area, a locking valve should be considered.

- Pipe compound should be used which is resistant to the action of liquid propane gas when gas connections are made.
- The gas connections must be firmly attached to rigid, permanent construction.

Note: The information provided in this manual is general for typical installations. We cannot cover all possible installation ideas. We recommend, prior to installation, that you contact your municipality for local building codes and your local fire department for installation verification.

If you have any questions, contact Customer Service at 1-800-446-1071.

Table 6.2(a)		Maximum Capacity of Metallic Pipe in Cubic Feet of Gas per Hour for Gas Pressures of 2 psi or Less and a Pressure Drop of 0.3 Inch Water Column. (Based on a 0.60 Specific Gravity Gas)													
Nominal Iron Pipe Size (Inches)	Actual ID: (Inches)	Length of Pipe (Feet)													
		10	20	30	40	50	60	70	80	90	100	125	150	175	200
1/2	.622	131	90	72	62	55	50	46	42	40	38	33	30	28	26
3/4	.824	273	188	151	129	114	104	95	89	83	79	70	63	58	54
1	1.049	514	353	284	243	215	195	179	167	157	148	131	119	109	102
1 1/4	1.380	1,060	726	583	499	442	400	368	343	322	304	269	244	224	209
1 1/2	1.610	1,580	1,090	873	747	662	600	552	514	482	455	403	366	336	313
2	2.067	3,050	2,090	1,680	1,440	1,280	1,160	1,060	989	928	877	777	704	648	602
2 1/2	2.469	4,860	3,340	2,680	2,290	2,030	1,840	1,690	1,580	1,480	1,400	1,240	1,120	1,030	960
3	3.068	8,580	5,900	4,740	4,050	3,590	3,260	3,000	2,790	2,610	2,470	2,190	1,980	1,820	1,700
4	4.026	17,500	12,000	9,660	8,270	7,330	6,640	6,110	5,680	5,330	5,040	4,460	4,050	3,720	3,460

© 2009 National Fire Protection Association, Inc. and International Approval Services - U.S., Inc. All Rights Reserved.

TEST CONNECTIONS

All connections and joints must be thoroughly tested for leaks in accordance with local codes and all listed procedures in the latest edition of the National Fuel Gas Code ANSI Z223.1/NFPA 54, Natural Gas and Propane Installation Code, CSA B149.1, or Propane Storage and Handling Code, B149.2, or the Standard for Recreational Vehicles, ANSI A 119.2/NFPA 1192, and CSA Z240 RV Series, Recreational Vehicle Code, as applicable.

⚠ DANGER

Do not use an open flame to check for gas leaks. Be sure there are no sparks or open flames in the area while you check for gas leaks. This will result in a fire or explosion which can cause serious bodily injury or death, and damage to property.

TYPICAL 20 LP PROPANE GAS SUPPLY INSTALLATION

The remote tank enclosure kit provided with your Weber Built-In grill shall be used for installations using a 20 lb LP cylinder, mounted in an "island" structure.

The remote tank enclosure shall house the included hose and regulator assembly and gas connections, the tank bracket and the fuel scale for connecting a remote mounted LP cylinder to the Summit® Built-In gas grill. The hose and regulator is listed as a required part of the CSA listed Summit® Built-In gas grill.

A properly installed tank enclosure meets the requirements for venting, tank retention and separation of the LP cylinder from a heat source as outlined in the ANSI Standard for Outdoor Cooking Gas Appliances, Z21.58/CSA 1.6 for LP enclosures.

You need to hire a licensed contractor or licensed plumber and they need to follow the requirements described in the ANSI Standard for Outdoor Cooking Gas Appliances, Z21.58/CSA 1.6 for LP enclosures.

The requirements described in the Standard for Outdoor Cooking Gas Appliances, Z21.58/CSA 1.6, are as follows:

A remote enclosure for an LP gas cylinder shall be ventilated by openings at both the upper and lower levels of the cylinder. This shall be accomplished by one of the following:

- A) One side of the remote LP cylinder enclosure shall be completely open; or
- B) If the remote LP cylinder enclosure is designed to have four sides, a top and a bottom, ventilation is required for the remote LP cylinder enclosure;
 - 1) There should be at least two ventilation openings, (a hole or group of holes, for the purpose of ventilation) in the sidewalls of the island structure. The openings should be located within 5 inches (127mm) of the top of the enclosure. The ventilation openings should be equally sized and spaced at a minimum of 90 degrees, and be unobstructed. The openings shall have a total free open area of not less than 20 square inches. (This relates to 1 square inch of ventilation area, per pound of stored fuel capacity).
 - 2) Ventilation openings (a hole or group of holes, for the purpose of ventilation) should be provided at floor level. The ventilation openings should have a total free area of not less than 10 square inches. (This relates to 1/2 square inch of ventilation area, per pound of stored fuel capacity). There should be at least two ventilation openings if the ventilation openings at floor level are in the sidewall. The ventilation openings should be within 5 inches (127mm) of the floor. The ventilation openings should be of equal size and be spaced at a minimum of 90 degrees, and should be unobstructed.
 - 3) The minimum size of the ventilation hole (s) should not be less than 1/4 inch.
 - 4) The ventilation openings in the sidewalls should not allow venting into the empty or "hollow" area of the "island". If a gas leak should occur or the LP cylinder should vent in the LP cylinder enclosure, the gas should not be allowed to vent or migrate into the empty or "hollow" area of the "island". Ventilation openings in the sidewalls of the enclosure should only communicate with the outside of the "island" structure, so that the gas can dissipate outside of the "island" structure.
- C) If the remote LP cylinder enclosure has four sides, a top and a bottom, and is intended for installation in a built-in "island" enclosure;
 - 1) At least one ventilation opening (a hole or group of holes, for the purpose of ventilation) needs to be on one side of the enclosure that communicates with the outside of the "island" structure. If a gas leak should occur or the LP cylinder should vent in the LP cylinder enclosure, the gas should not be allowed to vent or migrate into the empty or "hollow" area of the "island". Ventilation openings should only communicate with the outside of the "island" structure, so that the gas can dissipate outside of the "island" structure. The ventilation opening should be located within 5 inches (127mm) of the top of the enclosure, and should have a total free area of 20 square inches. (This relates to 1 square inch of ventilation area, per pound of stored fuel).
 - 2) At least one ventilation opening (a hole or group of holes, for the purpose of ventilation) needs to be on one side of the enclosure that communicates with the outside of the "island" structure, at the bottom. If a gas leak should occur or the LP cylinder should vent in the LP cylinder enclosure, the gas should not be allowed to vent or migrate into the empty or "hollow" area of the "island". Ventilation openings should only communicate with the outside of the "island" structure, so that the gas can dissipate outside of the "island" structure. The ventilation opening should be located within 5 inches (127mm) of the bottom of the enclosure, and should have a total free area of 10 square inches. (This relates to 1/4 square inch of ventilation area, per pound of stored fuel).
 - 3) The minimum size of the ventilation hole (s) should not be less than 1/4 inch (6.35mm).

- D) The remote LP cylinder enclosure should be constructed with non-combustible materials. The remote LP cylinder enclosure should isolate the LP cylinder from the burner compartment, so that it provides shielding from radiation, be a flame barrier and provide protection from foreign material such as hot drippings.
- E) There should be a minimum of 2 inches (50.8mm) between the ground and the floor of the remote LP cylinder enclosure.
- F) The LP cylinder valve should be readily accessible for hand operation. A door on the remote LP cylinder enclosure to gain access to the LP cylinder valve is acceptable, provided it is non-locking and can be opened without the use of tools.

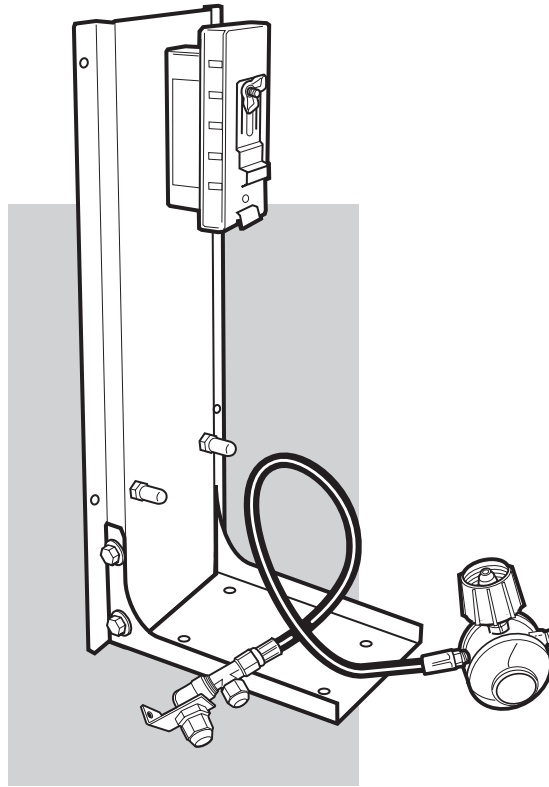
⚠ DANGER

Use of any hose and regulator assembly other than that provided or recommended by Weber-Stephen Products Inc. could be dangerous, and may not provide adequate gas supply to the Summit® Built-In gas grill, and could result in a fire or an explosion causing serious bodily injury or death, and damage to property.

⚠ DANGER

Failure to build a remote LP cylinder enclosure for a single 20 lb cylinder only, following the requirements for ventilation, cylinder retention and separation of the LP cylinder from a heat source, listed in the ANSI Standard for Outdoor Cooking Gas Appliances, ANSI Z21.58 CSA 1.6, could be dangerous, and could result in a fire or an explosion causing serious bodily injury or death and damage to property.

If you do not follow the DANGER statements exactly, the Warranty on the Summit® Built-In gas grill will be voided.



OPERATING

- ⚠ **WARNING:** Only use the Weber® Tank Enclosure Kit outdoors in a well-ventilated area. Do not use in a garage, building, breezeway or any other enclosed area.
- ⚠ **WARNING:** Your Weber® Tank Enclosure Kit shall not be used under an unprotected combustible roof or overhang.
- ⚠ **WARNING:** Your Weber® Tank Enclosure Kit is not intended to be installed in or on recreational vehicles and/or boats.
- ⚠ **WARNING:** Keep any electrical supply cord and the fuel supply hose away from any heated surface.
- ⚠ **WARNING:** Never store an extra (spare) LP cylinder under or near the Weber® gas barbecue.
- ⚠ **WARNING:** Keep the ventilation openings of the cylinder enclosure free and clear of debris.
- ⚠ **WARNING:** Turn off the gas at the LP gas supply cylinder when the outdoor cooking gas appliance is not in use.
- ⚠ **WARNING:** Never store an outdoor cooking gas appliance indoors unless the LP cylinder is disconnected and removed from the outdoor cooking gas appliance.
- ⚠ **WARNING:** LP Cylinders must be stored outdoors out of the reach of children and must not be stored in a building, garage, or any other enclosed area.
- ⚠ **WARNING:** The LP pressure regulator and hose assembly supplied with the Weber® Tank Enclosure Kit must be used. Replacement LP pressure regulators and hoses must be obtained from Weber-Stephen Product Co.

⚠ DANGER

Use of any other hose and regulator assembly could be dangerous, and may not provide adequate gas supply to the Summit® Built-In gas grill, and could result in a fire or an explosion causing serious bodily injury or death and damage to property.

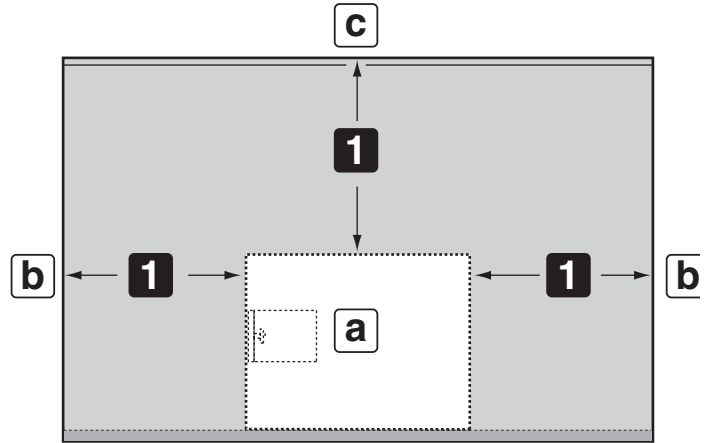
⚠ DANGER

Failure to build a LP cylinder enclosure for a 20 lb cylinder following the requirements for ventilation, cylinder retention and separation of the LP cylinder from a heat source, listed in the ANSI Standard for Outdoor Cooking Gas Appliances, ANSI Z21.58 CSA 1.6, could be dangerous, and could result in a fire or an explosion causing serious bodily injury or death and damage to property.

If you do not follow the DANGER statements exactly, the Warranty on the Summit® Built-In gas grill will be voided.

LOCATING YOUR LP TANK ENCLOSURE KIT

When determining a suitable location for your LP Tank Enclosure Kit installation, give attention to concerns such as proximity to traffic paths, and keeping any gas supply lines as short as possible. Never locate the Summit® LP Tank Enclosure Kit in a garage, breezeway, shed, under an unprotected overhang, or other enclosed area. Locate the LP Tank Enclosure Kit and structure so there is enough room to safely evacuate the area in case of a fire.

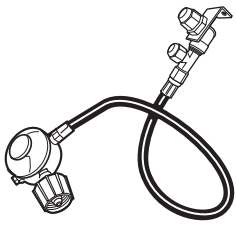
**ENCLOSURE CHART**

1	24" inches (610 mm) Any Surface
a	LP Tank Enclosure
b	Any Surface
c	Non-Combustible Surface

CLEARANCE FROM COMBUSTIBLE SURFACES OR STRUCTURES

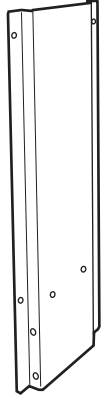
- ⚠ WARNING:** Clearance from the outside walls of the sides and back of the LP Tank Enclosure must be a minimum of 24" (60.96cm) any surface. Refer to "Typical Gas Supply Installation" before starting installation.
- ⚠ WARNING:** The structure, "island" counter tops and adjacent work areas for the LP Tank Enclosure must be built from noncombustible materials only.

NOTE: If you have questions on what materials are considered noncombustible, contact your local building supplier or fire department.

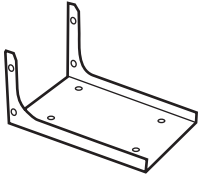
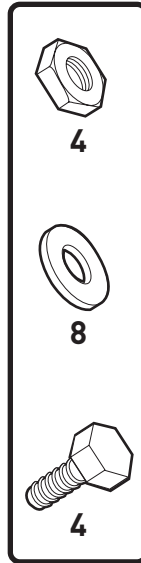


Hose and regulator - 1

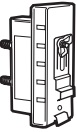
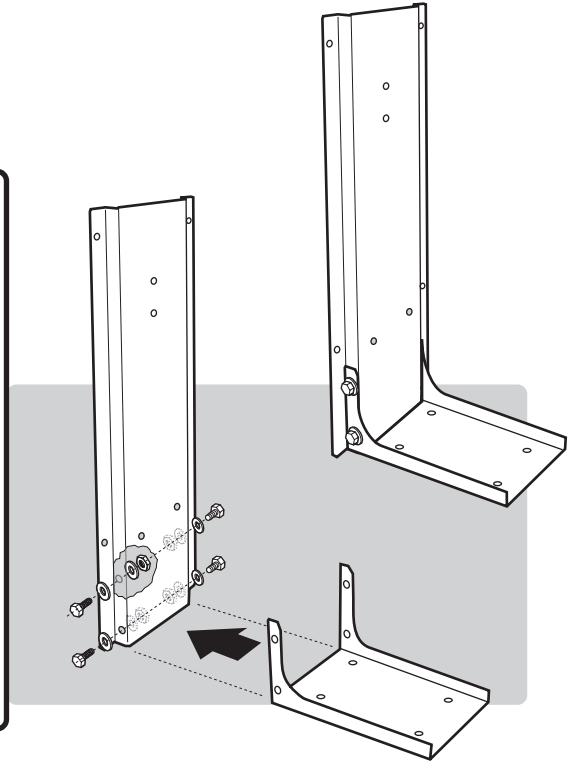
1



Tank stand - 1



Tank stand base - 1



Tank Scale - 1

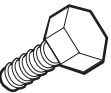
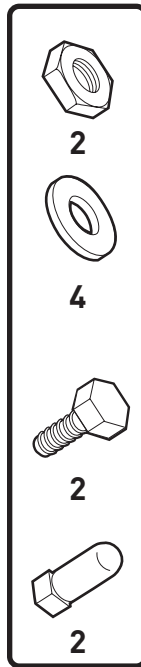


1/4-20 nut - 6

2



Nylon washer - 12



1/4-20 x 1/2" bolt - 6



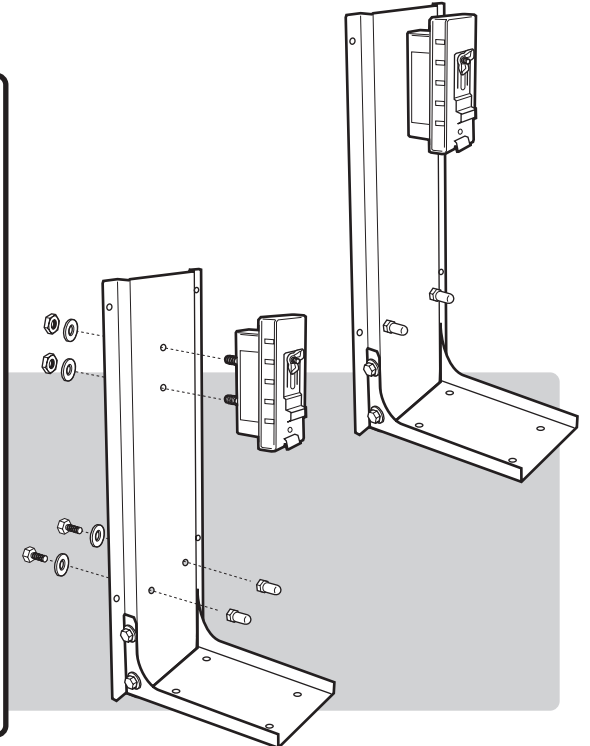
Cylinder glide - 2



1/2" Flare Gasket - 2



3/8" Flare Gasket - 2



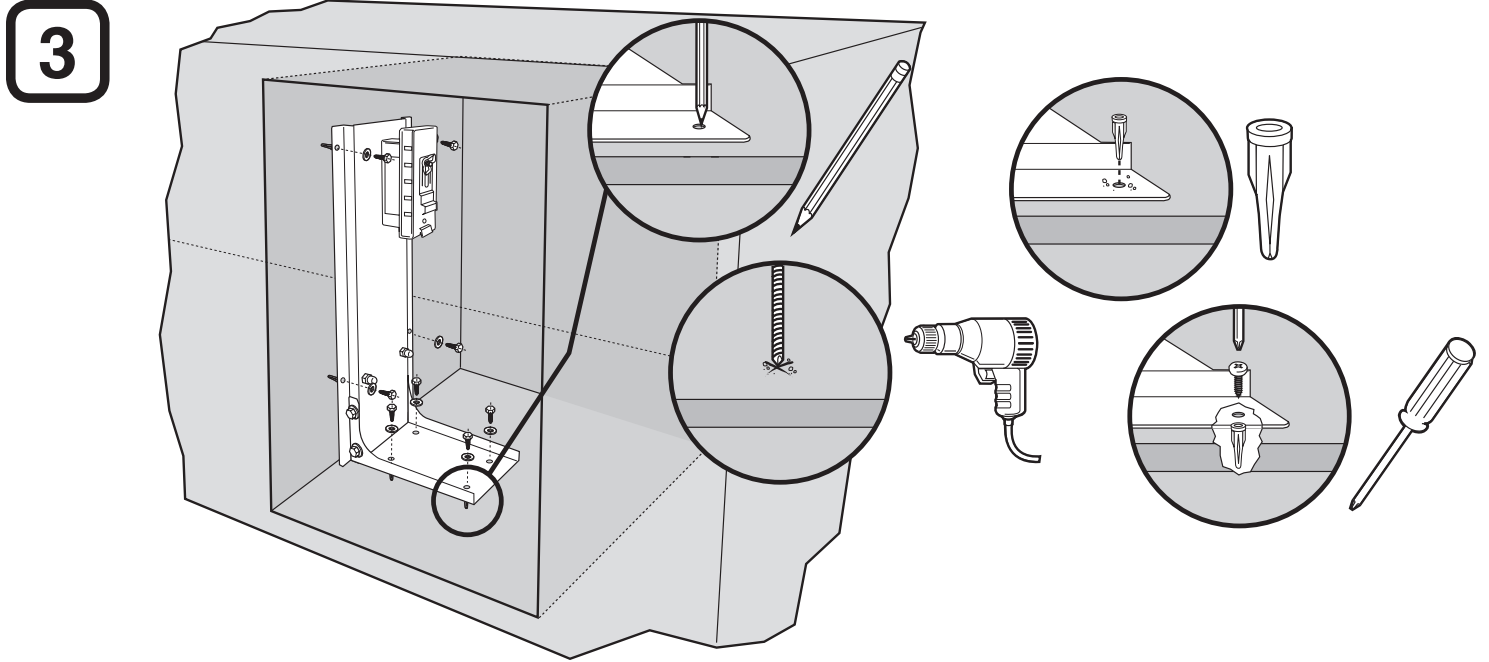
MOUNTING THE LP TANK BRACKET

Mount the LP tank bracket to the right hand side of the enclosure opening using non corrosive hardware. Mounting holes are provided on the sides and bottom of your LP tank bracket. Be sure to mount the bracket securely to the enclosure before use.

MOUNTING HARDWARE NOT INCLUDED.

MOUNTING THE LP HOSE AND REGULATOR

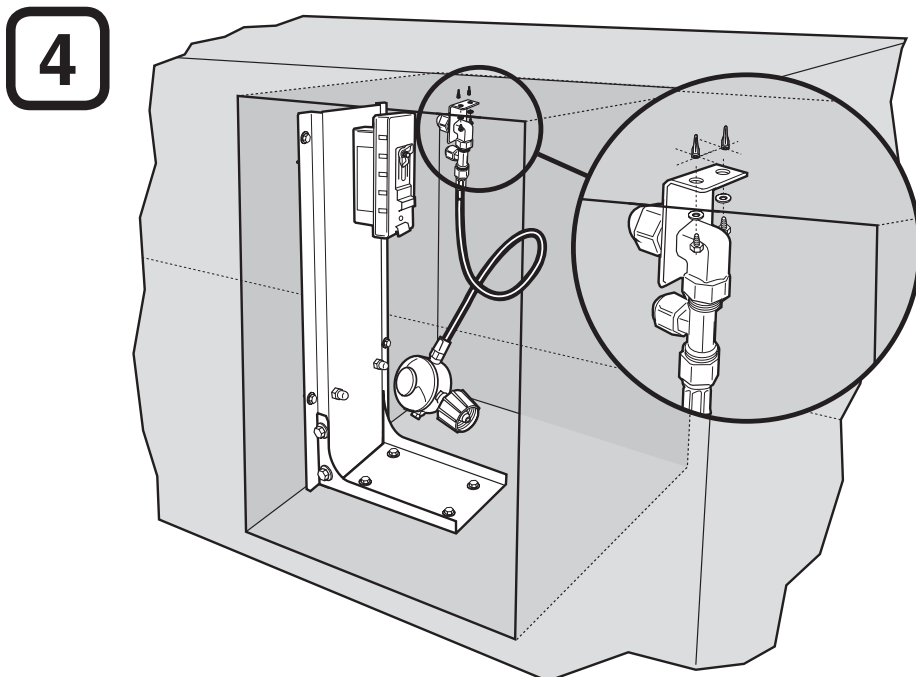
Securely mount the hose and regulator bracket to the top of the built-in tank enclosure using non corrosive hardware.



MOUNTING HARDWARE NOT INCLUDED.

LP TANK ENCLOSURE GAS LINE LOCATIONS

Area should be kept clear of sharp, jagged, or extremely abrasive surfaces to avoid possible damage to gas supply lines. Exercise caution when pulling gas lines through built-in structure.



CONNECT GAS SUPPLY

A 58 inch (147.32 cm) corrugated gas line is supplied with the grill. This line needs to pass through the gas inlet opening to the main gas supply.

- 1) Connect the corrugated gas line to the manifold located on the right hand side of grill under the control panel. Use the 1/2" flared gasket (1) to ensure proper seal.

Note: 1/2" flared gaskets are included in the Summit® Built-In tank Enclosure Kit included with your grill.

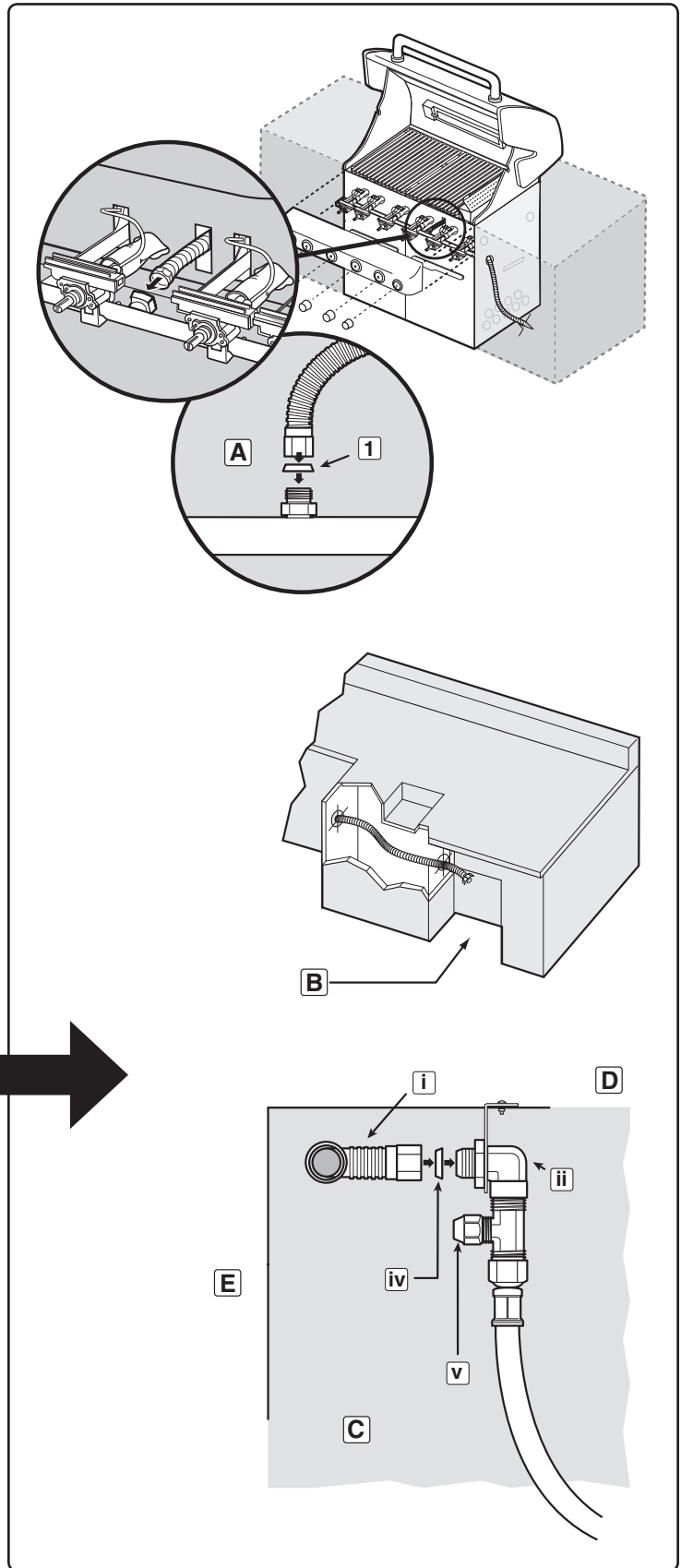
The corrugated line passes through the "Island Structure" cavity to the hose and regulator connection inside the tank enclosure. (Shown in illustration)

- 2) Uncap one flare fitting from the 90° Connection on the regulator hose located inside the tank enclosure.

- 3) Use the 1/2 (12.7 mm) inch flared gasket to ensure proper seal.

NOTE: Only use the 3/8 inch (9.53 mm) flared gasket if you are installing the optional side burner.

- 4) Connect the corrugated gas line to the 90° Connection.



CONNECTION CHART

A	Top View
B	Typical tank cabinet or tank enclosure location
C	Side View
D	Top of Box
E	Back of Box
i	Corrugated Gas Line to Manifold
ii	90° fitting
iv	1/2" (12.7 mm) Flared Gasket
v	Cap (Optional Side Burner)

GAS SUPPLY

VENTILATION

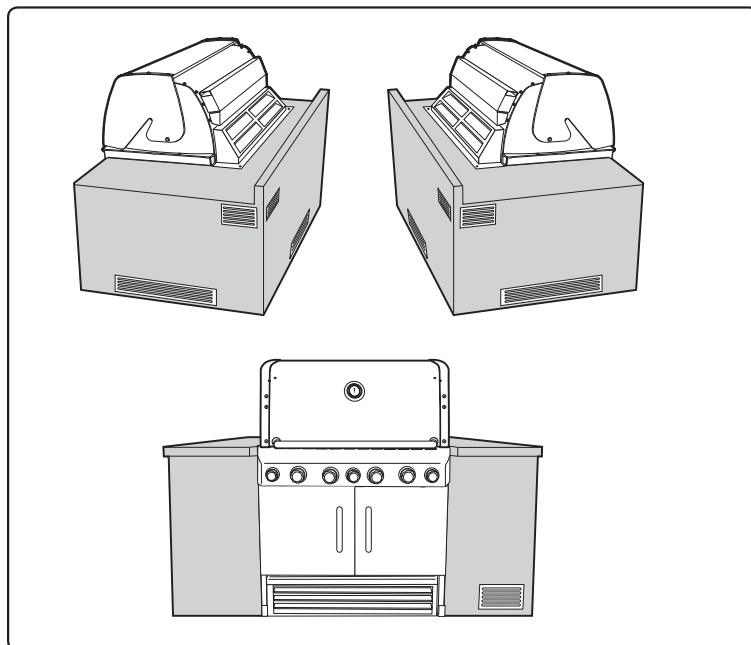
⚠ WARNING: Ventillation holes must be provided in the structure at the top and bottom to provide ventilation in the event of a gas leak.

Ventilation holes can be located in a low visibility area and should be protected by screening material to prevent rodents and insects from entering the structure. Air holes will also help dry moisture.

Note: These drawings are only a reference.

- Cross ventilation must be incorporated in the supporting structure. We recommend a minimum of 100 square inches (254 square cm) of venting per side.
- Vents should be on two sides of the structure.
- The above drawings are for reference only.
- Location of the vents should be from the center, outward.
- Locate the vents at both the bottom of the structure and at the top of the structure.
- The bottom vents should be as close to ground level as possible. Make sure the vent area is not blocked by interior supports of the structure.
- We recommend vents with screens.
- Access doors to the structure are not considered vents.
- Clean the vents periodically.

⚠ DANGER: Failure to follow recommended minimum venting instructions can cause gas to collect in the structure in the event of a gas leak. This may result in a fire or an explosion which can cause serious bodily injury or death, and damage to property.



⚠ ATTENTION: This product has been safety tested and is only certified for use in a specific country. Refer to country designation located on outer carton.

These parts may be gas carrying or gas burning components. Please contact Weber-Stephen Products Co., Customer Service Department for genuine Weber-Stephen Products Co. replacement part(s) information.

⚠ WARNING: Do not attempt to make any repair to gas carrying, gas burning, igniter components or structural components without contacting Weber-Stephen Products Co., Customer Service Department. Your actions, if you fail to follow this Product Warning, may cause a fire, an explosion, or structural failure resulting in serious personal injury or death as well as damage to property.



WEBER-STEPHEN PRODUCTS CO.

www.weber.com[®]

©2009 The following trademarks are registered in the name of Weber-Stephen Products Co., an Illinois corporation, located at 200 East Daniels Road, Palatine, Illinois 60067 U.S.A. Australia; Smokey Joe, Weber, Kettle Silhouette[®], Genesis, Austria; Kettle Silhouette[®], Smokey Joe, Weber, Benelux; Kettle Silhouette[®], Smokey Joe, Weber, Compact Grill Configuration, Botswana; Weber, Canada; Smokey Joe, Genesis, China; Kettle Silhouette[®], Denmark; Kettle Silhouette[®], Smokey Joe, Weber, Finland; Smokey Joe, France; Kettle Silhouette[®], Smokey Joe, Weber, One-Touch, Germany; Smokey Joe, Weber, One-Touch, Greece; Smokey Joe, Ireland; Kettle Silhouette[®], Smokey Joe, Italy; Smokey Joe, Weber, Japan; Smokey Joe, Weber, Korea; Smokey Joe, Weber, New Zealand; Weber, Smokey Joe, Nigeria; Weber, Norway; Smokey Joe, Weber, Portugal; Weber, South Africa; Smokey Joe, Weber, Kettle Configuration, Spain; Smokey Joe, Weber, Sweden; Kettle Silhouette[®], Smokey Joe, Switzerland; Kettle Silhouette[®], Smokey Joe, Weber, United Kingdom; Smokey Joe, Weber, Weber One-Touch, U.S.A.; Kettle Configuration, Kettle Silhouette[®], Smokey Joe, Weber, One-Touch, Firespice, Go-Anywhere, U.S.A.; Kettle Configuration, Kettle Silhouette, Genesis, Flavorizer, Crossover, Flango, Performer, Rapidfire, Tuck 'N Carry, Jumbo Joe, Bar-B-Kettle, Master-Touch, Spirit, Grill Out, Summit, Platinum, 1-800-Grill-Out, Ranch, Matchless Flame, Zimbabwe; Weber, Kettle Configuration, Kettle Silhouette[®].